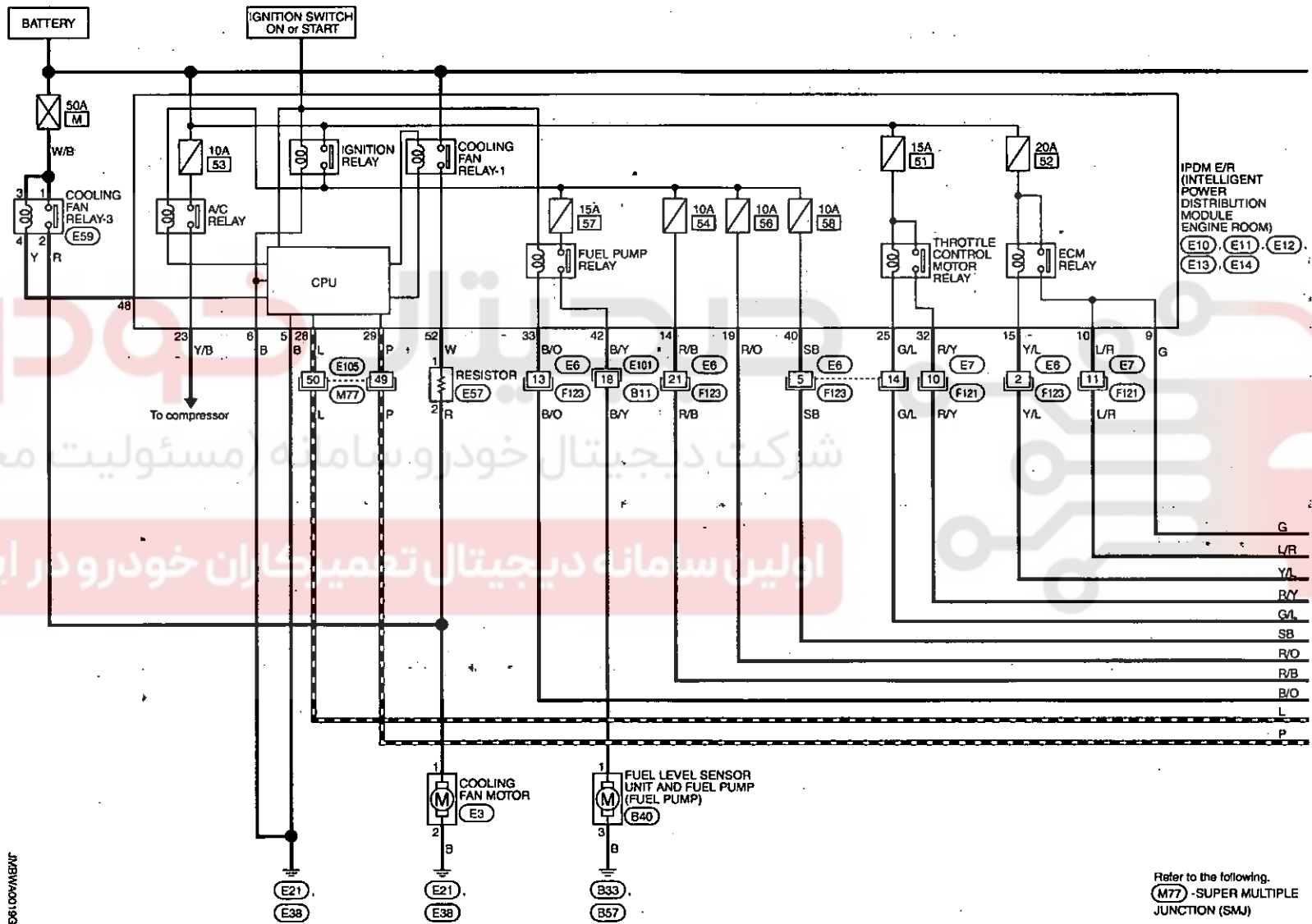


★: Average voltage for pulse signal (Actual pulse signal can be confirmed by oscilloscope.)

Wiring Diagram - ENGINE CONTROL SYSTEM -

ENGINE CONTROL SYSTEM (MR ENGINE)



JABEWA00199E

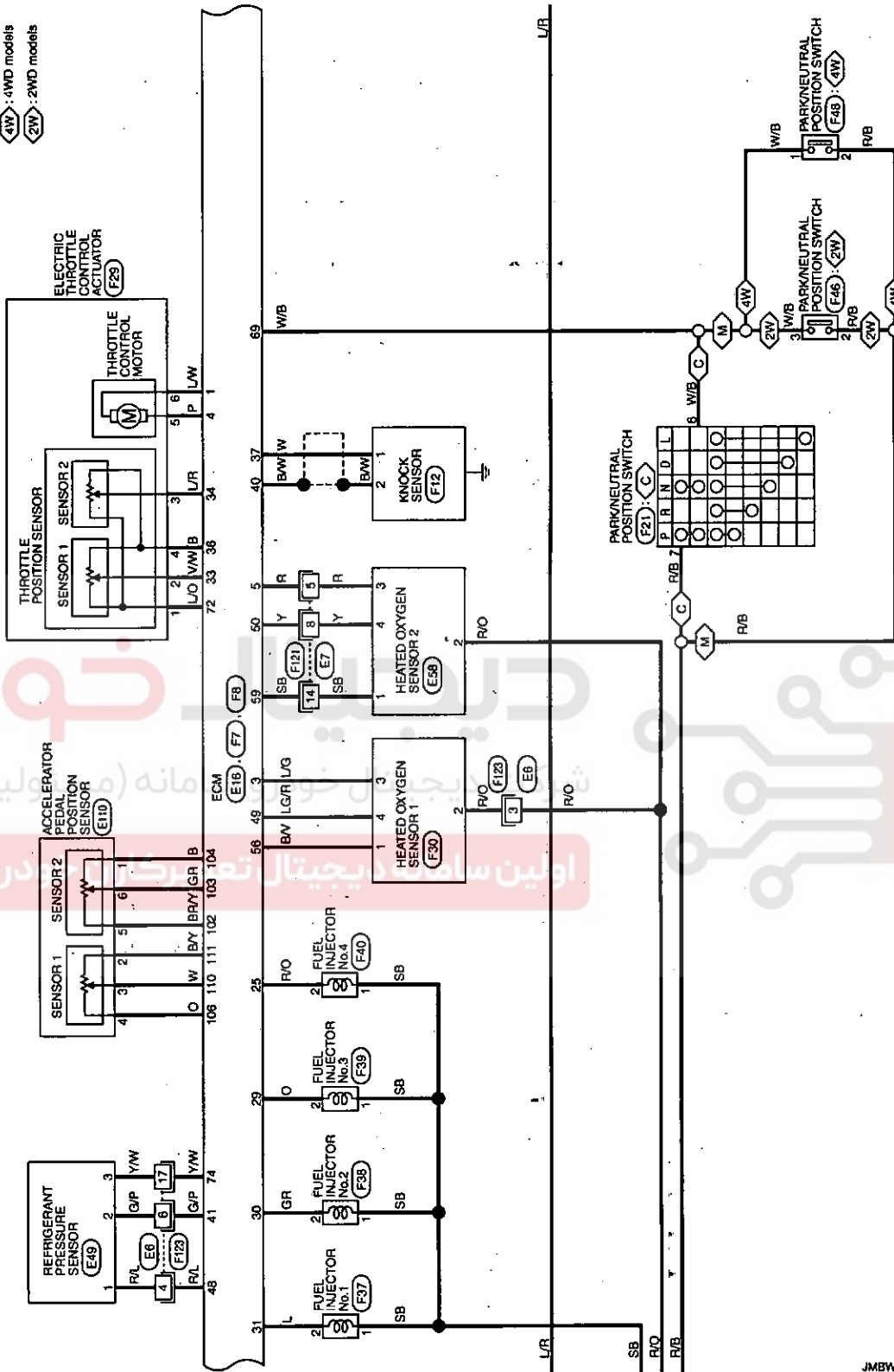
INF01D:00000004930066

Refer to the following.  
(M77) - SUPER MULTIPLE  
JUNCTION (SMJ)

شرکت دیجیتال خودرو سامانه مسئولیت محدود)  
اولین سامانه دیجیتال تعمیرکاران خودرو در ایران



- : With CVT
- : With M/T
- : 4WD models
- : 2WD models

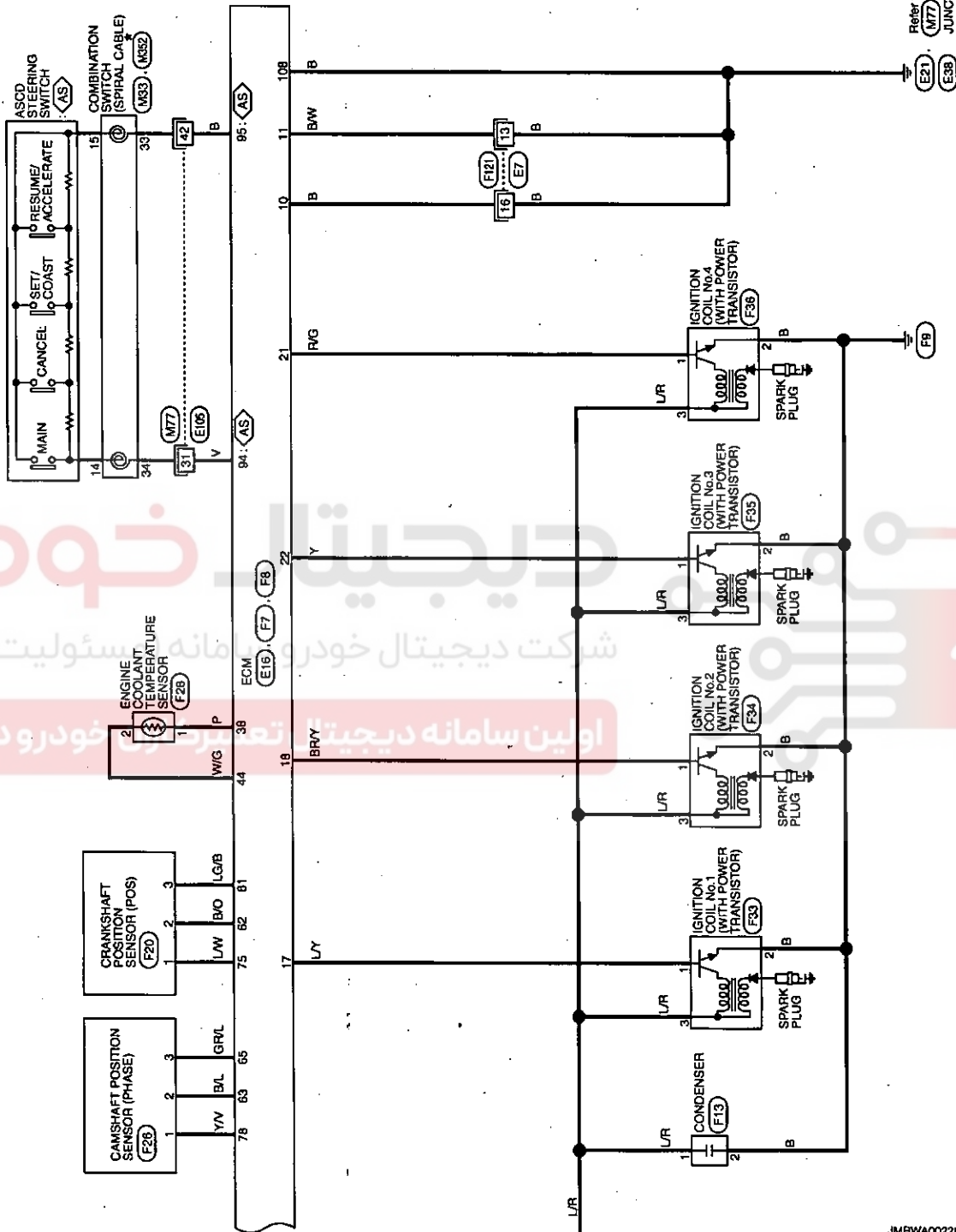


JMBWA0021G

A  
EC  
C  
D  
E  
F  
G  
H  
I  
J  
K  
L  
M  
N  
O  
P

AS With ASCD

\*: This connector is not shown in "Harness Layout", PG section.



JMEWA0022G1