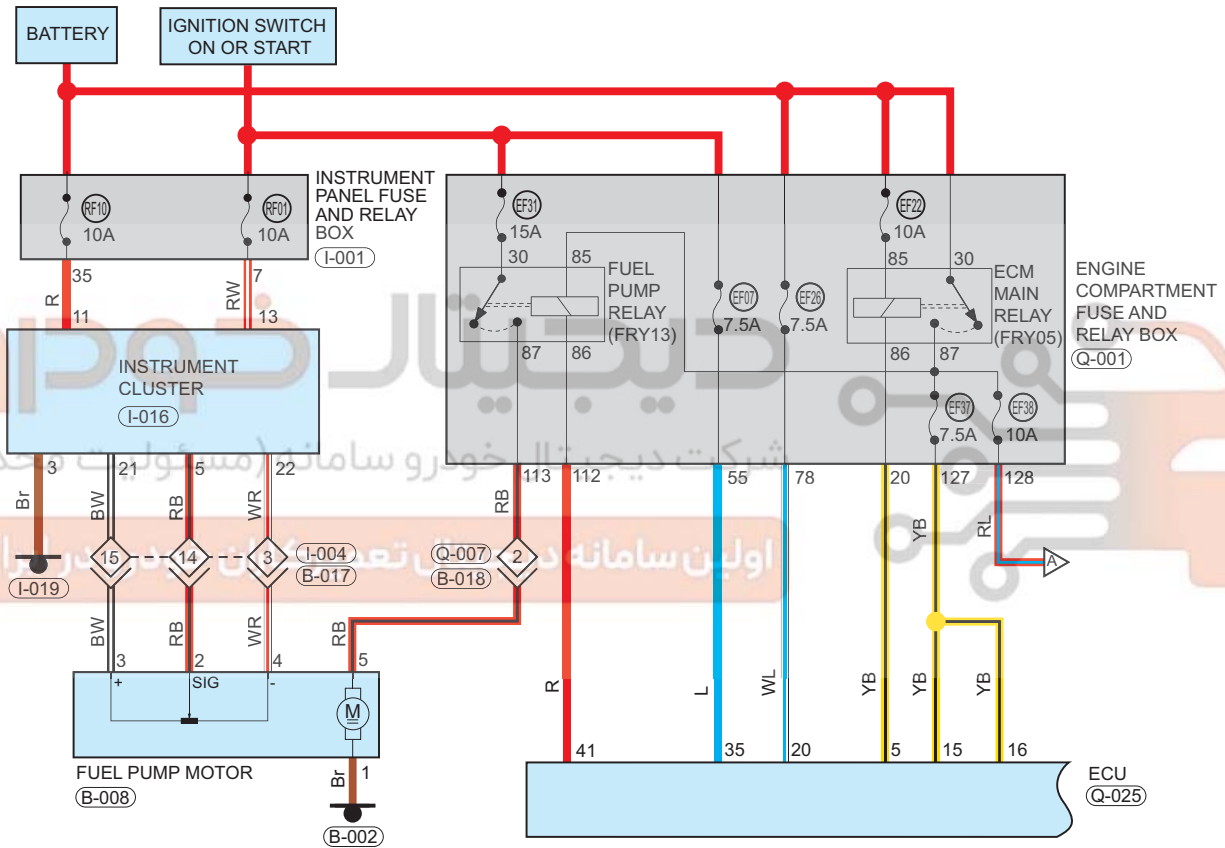


Fuel Supply System

Circuit Diagram (Page 1 of 2)



09

Parts Location

Connector Code	See Page	Connector Code	See Page	Connector Code	See Page
Q-001	08-10	I-001	08-23	I-016	08-23
I-019	08-23	B-008	08-36	Q-025	08-10
B-002	08-36				

Fuse and Relay

Fuse/Relay	See Page	Fuse and Relay Box
EF07	06-2	Engine Compartment Fuse And Relay Box
EF22	06-2	Engine Compartment Fuse And Relay Box
EF26	06-2	Engine Compartment Fuse And Relay Box
EF31	06-2	Engine Compartment Fuse And Relay Box
EF37	06-2	Engine Compartment Fuse And Relay Box
EF38	06-2	Engine Compartment Fuse And Relay Box
FUEL PUMP RELAY (FRY13)	06-2	Engine Compartment Fuse And Relay Box
ECM MAIN RELAY (FRY05)	06-2	Engine Compartment Fuse And Relay Box
RF01	06-8	Instrument Panel Fuse and Relay Box
RF10	06-8	Instrument Panel Fuse and Relay Box

Location of Junction Connector

Connector Code	See Page	Connector Code	See Page	Connector Code	See Page
Q-007, B-018	08-10, 08-36	I-004, B-017	08-23, 08-36		

Form of Connector

Connector Code	See Page	Connector Code	See Page	Connector Code	See Page
Q-001	12-17	I-001	12-4	I-016	12-4
I-019	12-4	B-008	12-8	Q-025	12-17
B-002	12-8	Q-007, B-018	12-17, 12-8	I-004, B-017	12-4, 12-8

Circuit Diagram (Page 2 of 2)

