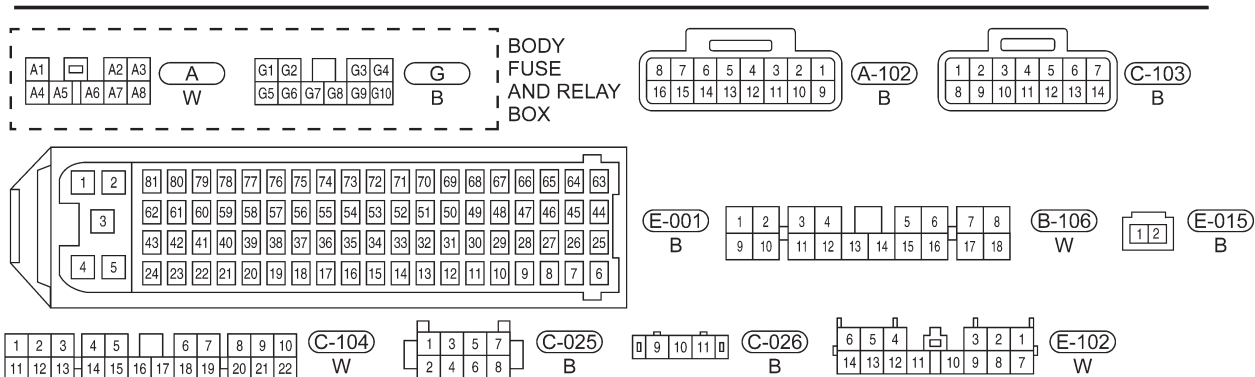
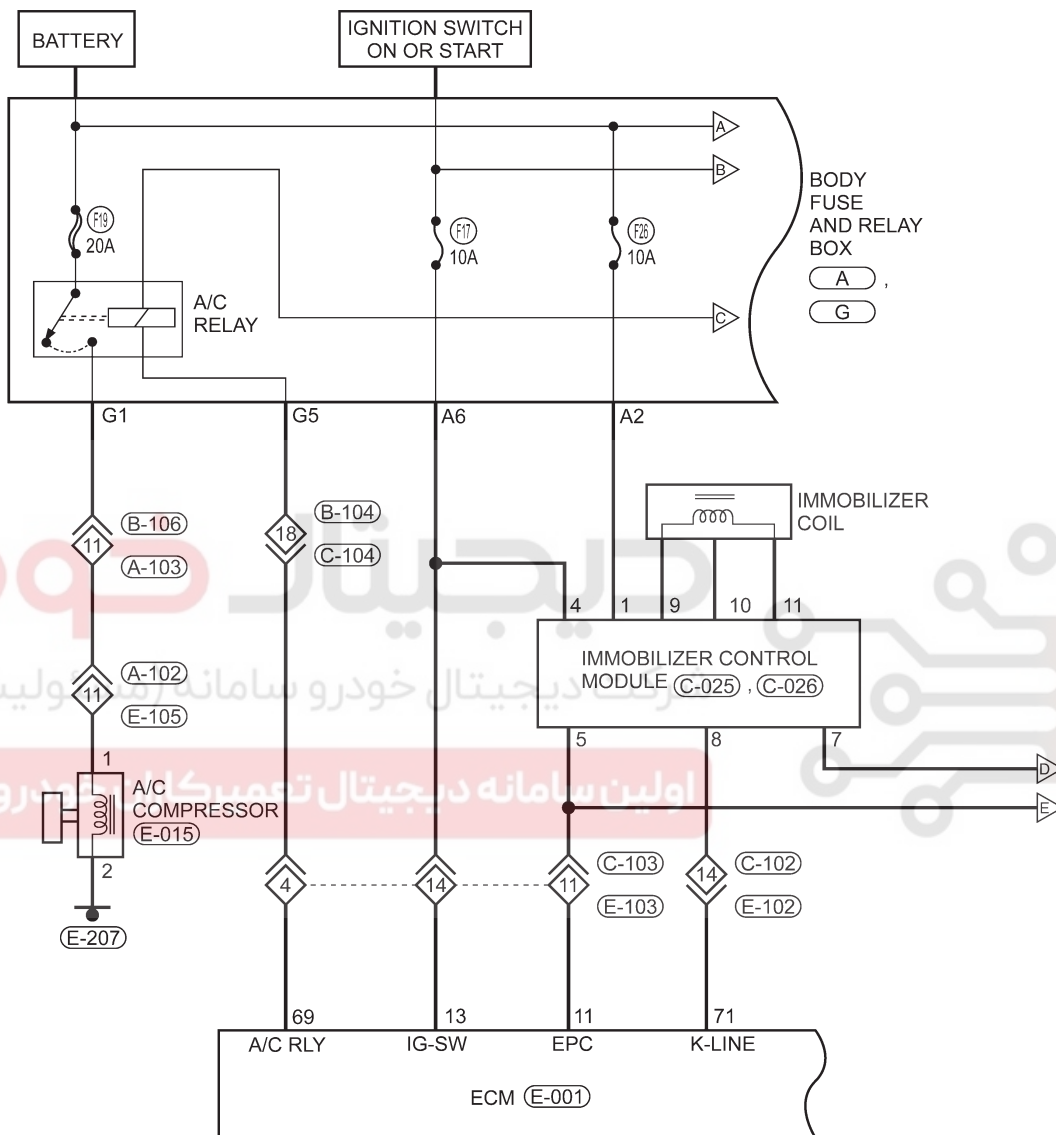


GENERAL INFORMATION

Electrical Schematics

Electronic Engine Controls (Page 1 of 11)

ENGINE CONTROL SYSTEM - WITH ACTECO 2.0L WITH DP0 SYSTEM

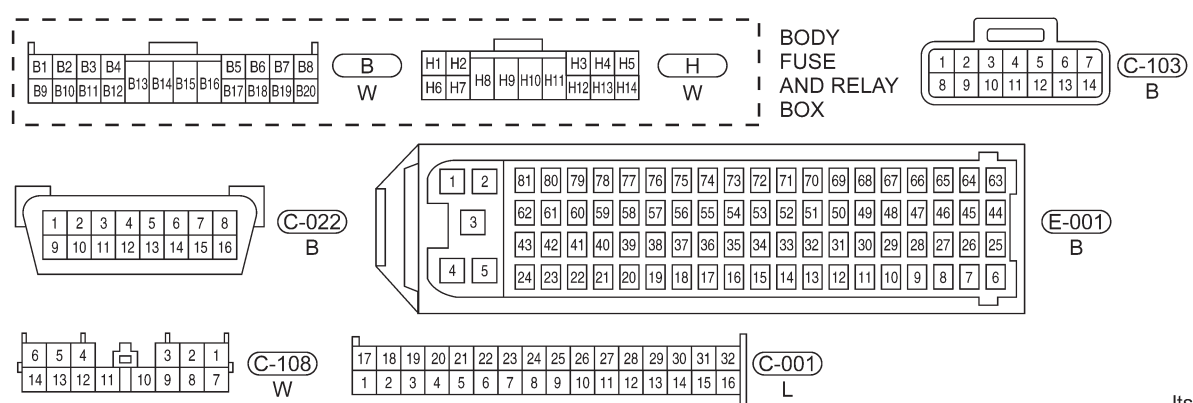
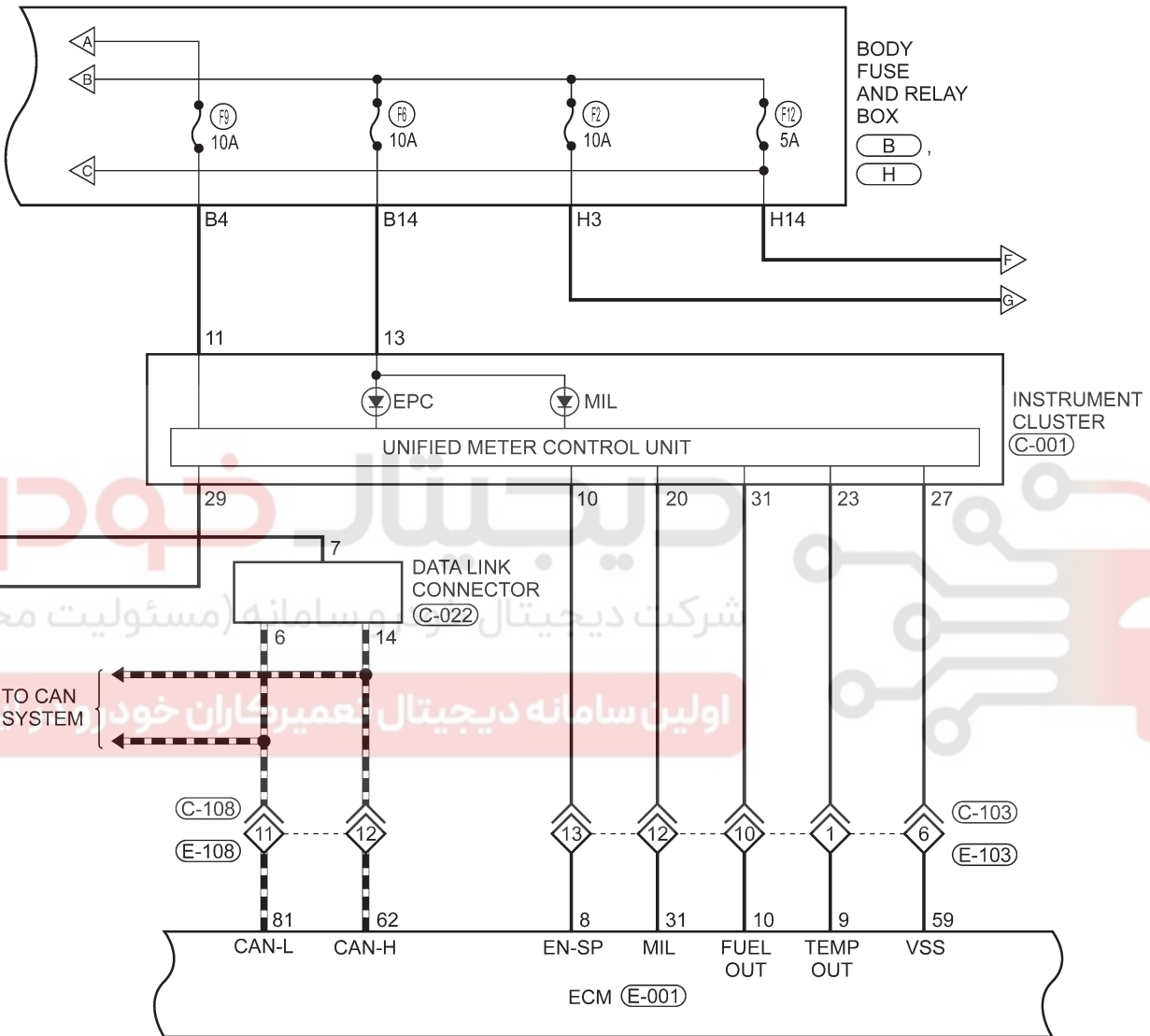


Itsmw030093t

GENERAL INFORMATION

Electronic Engine Controls (Page 2 of 11)

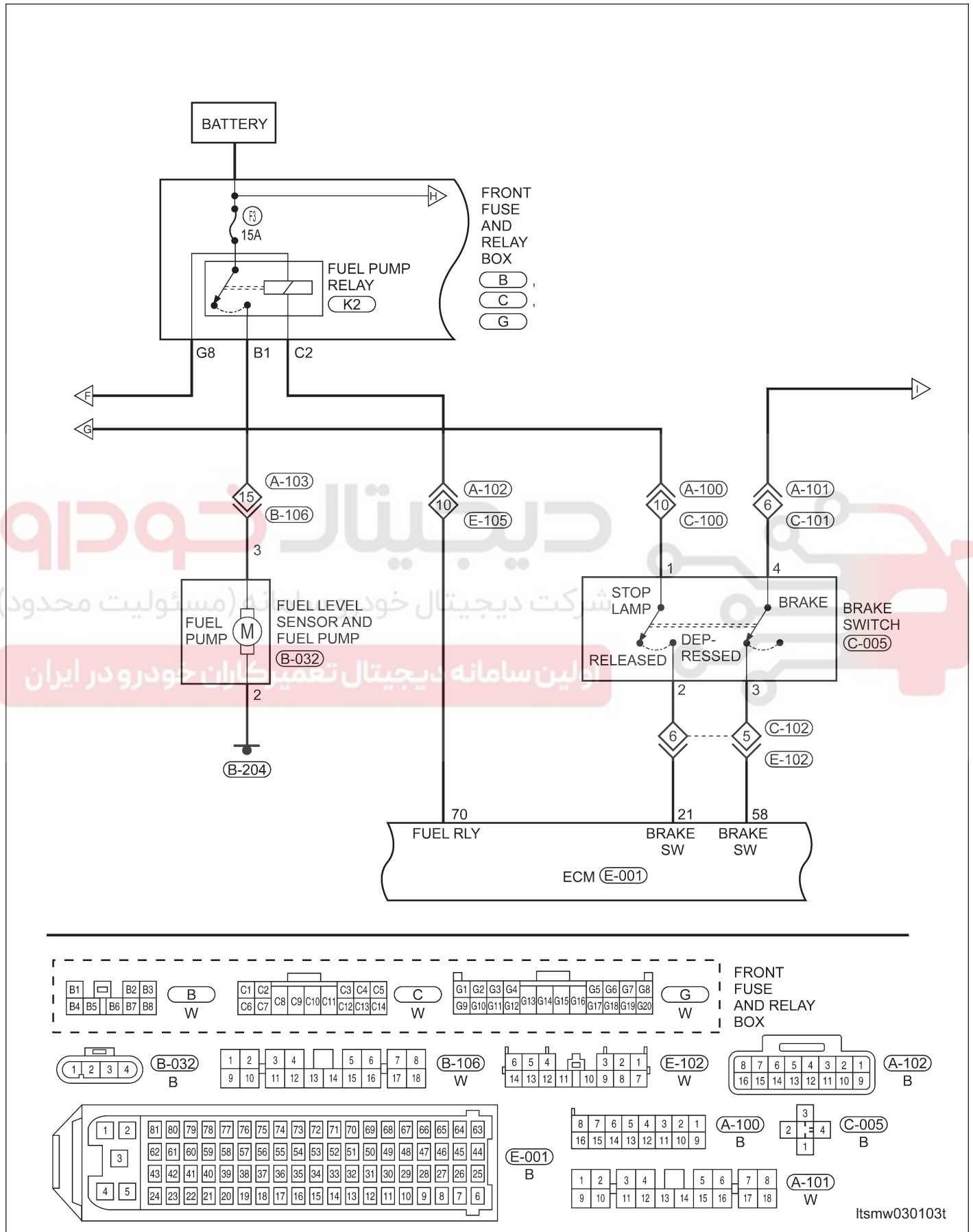
03



Istmw030094t

GENERAL INFORMATION

Electronic Engine Controls (Page 3 of 11)

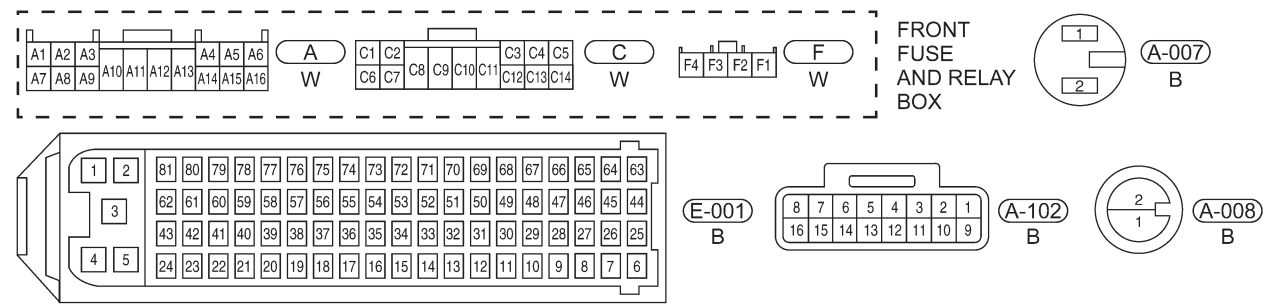
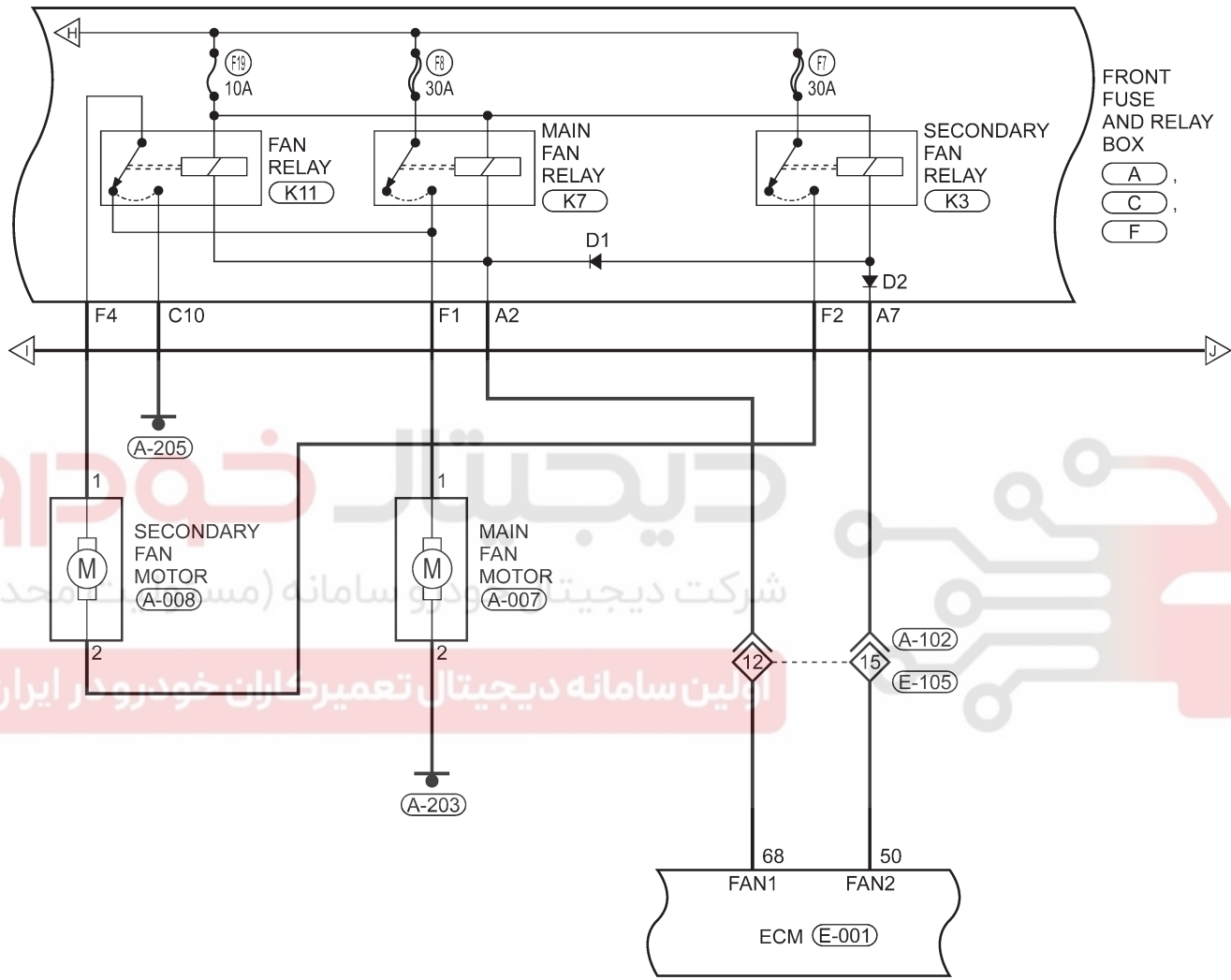


Itsmw030103t

GENERAL INFORMATION

Electronic Engine Controls (Page 4 of 11)

03

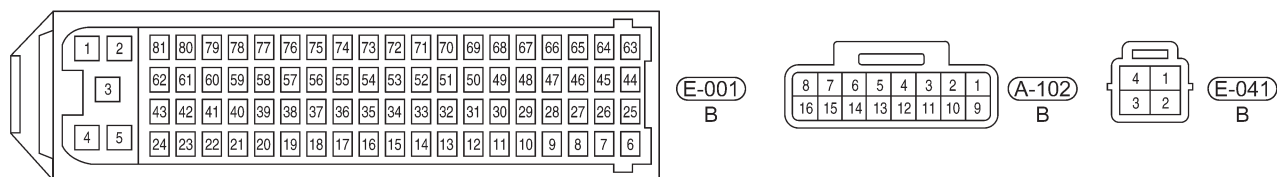
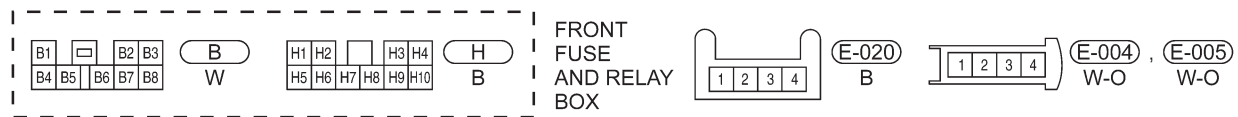
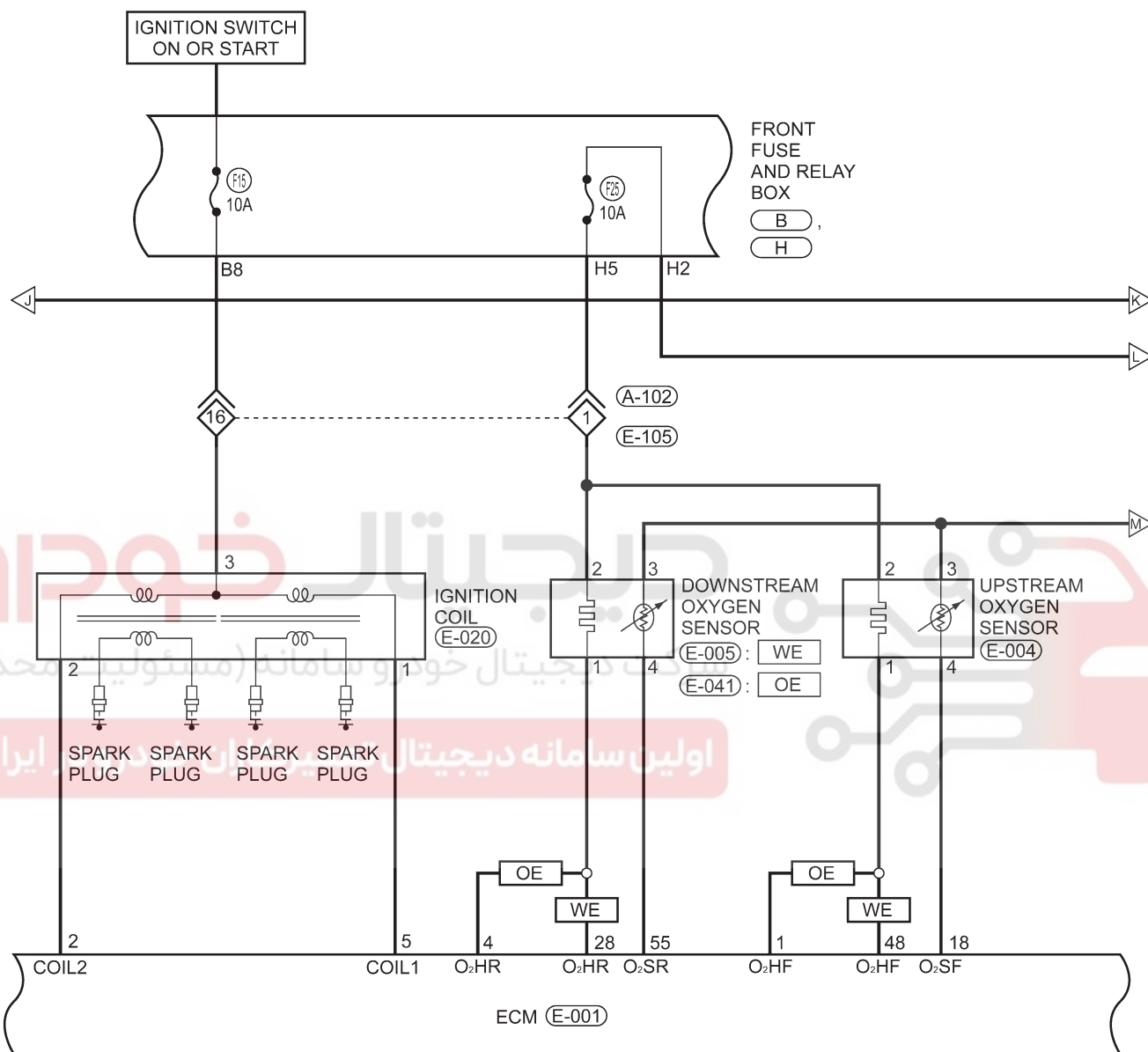


ltsmw030095t

GENERAL INFORMATION

Electronic Engine Controls (Page 5 of 11)

OE : WITHOUT EOBD  
WE : WITH EOBD

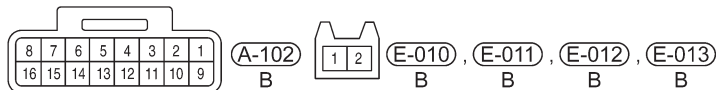
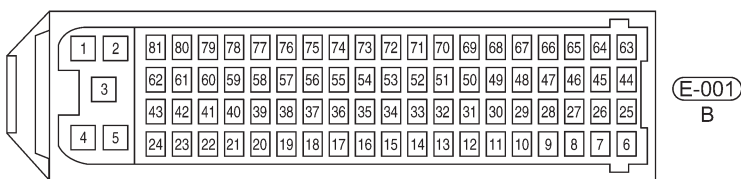
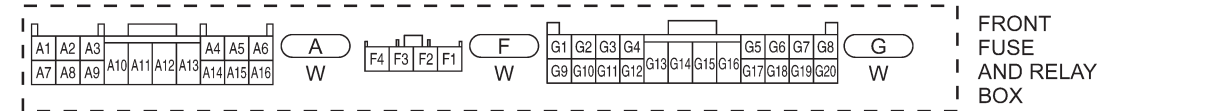
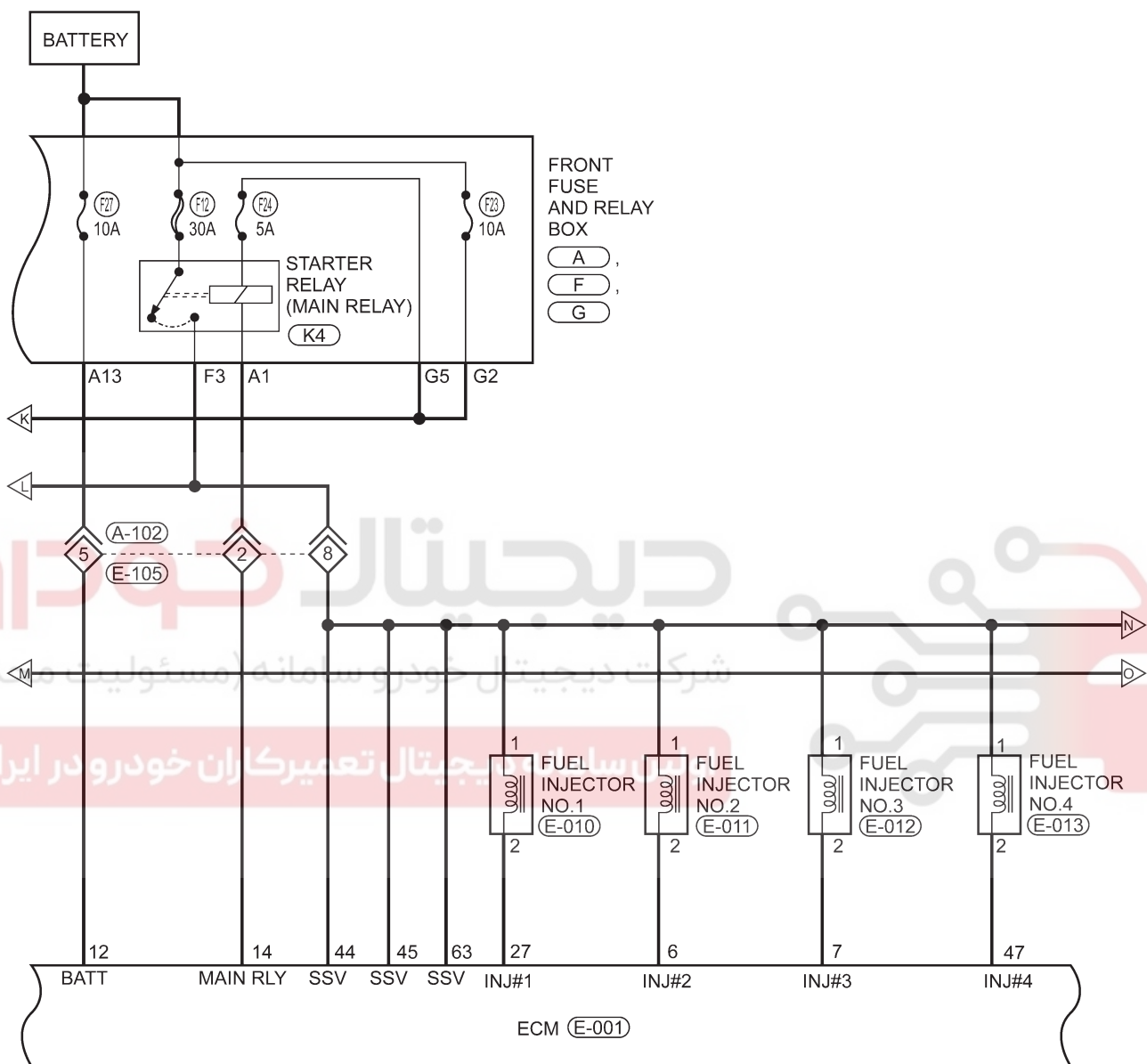


ltsmw030096t

GENERAL INFORMATION

Electronic Engine Controls (Page 6 of 11)

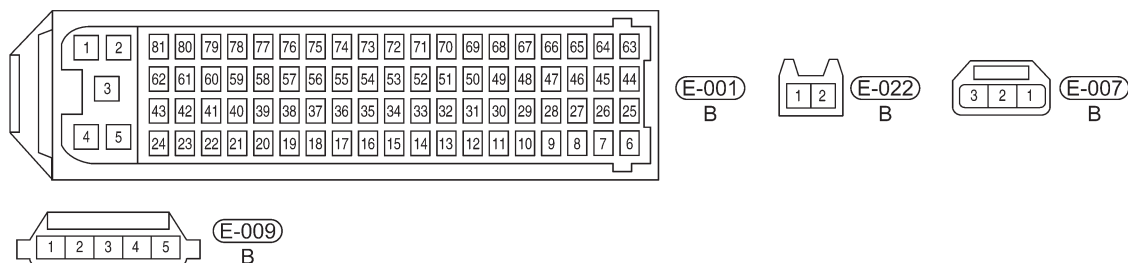
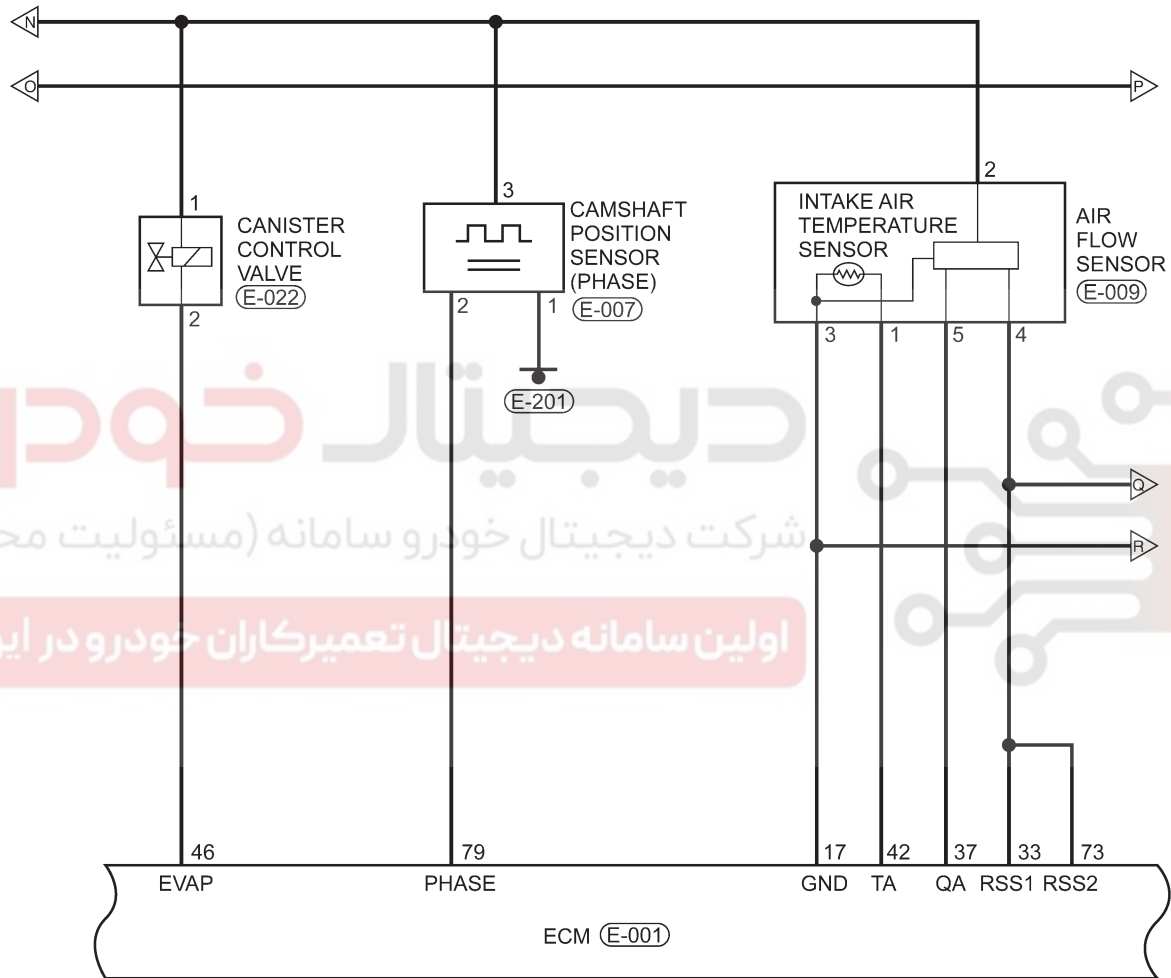
03



Itsmw030097t

GENERAL INFORMATION

Electronic Engine Controls (Page 7 of 11)

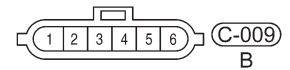
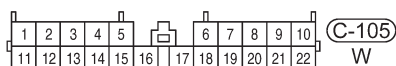
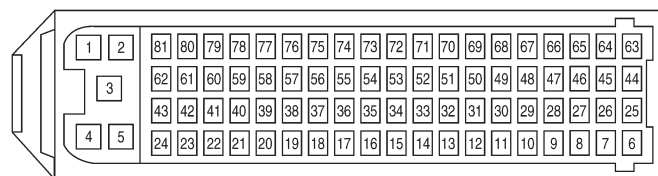
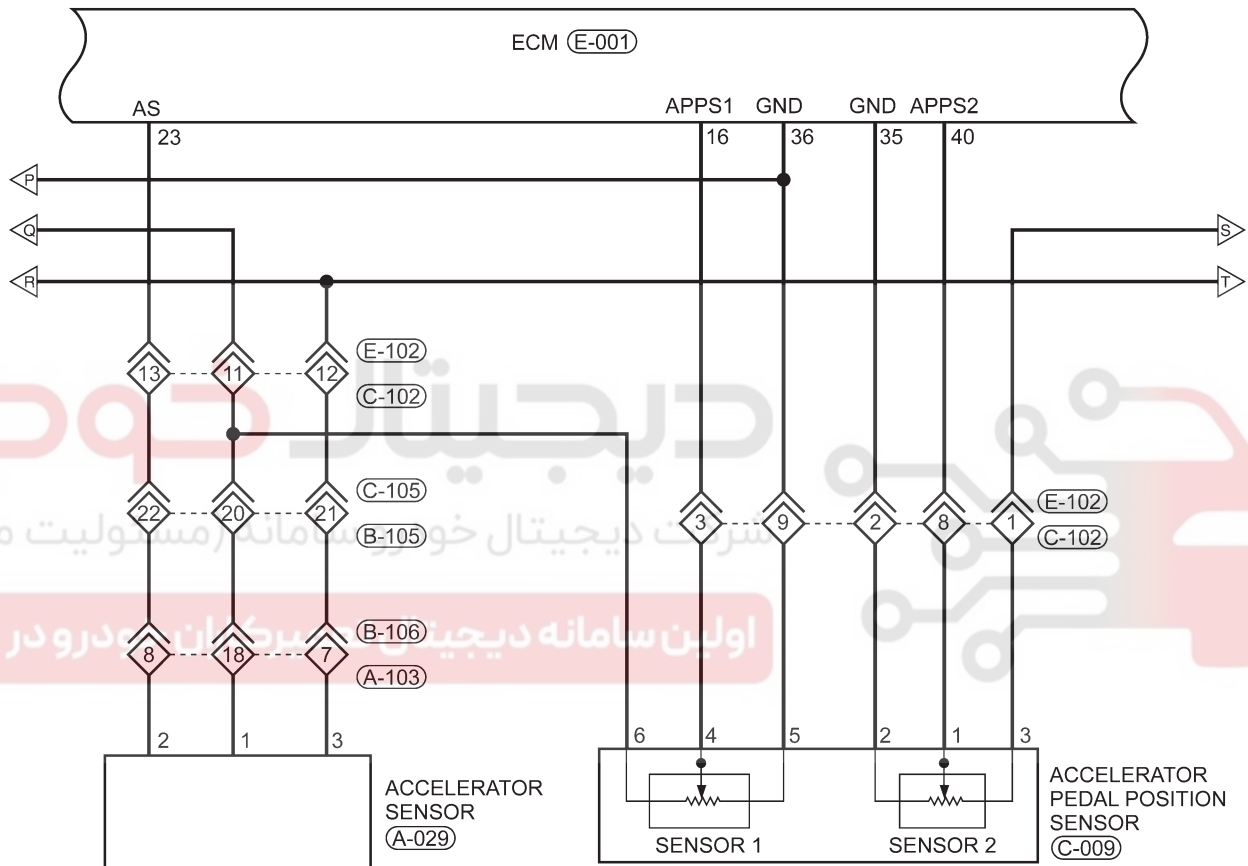


Itsmw030098t

GENERAL INFORMATION

Electronic Engine Controls (Page 8 of 11)

03

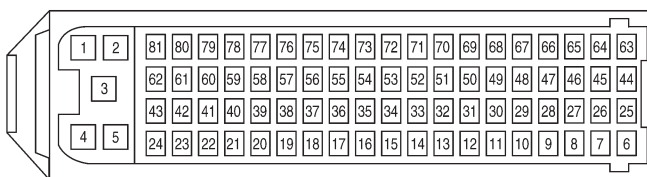
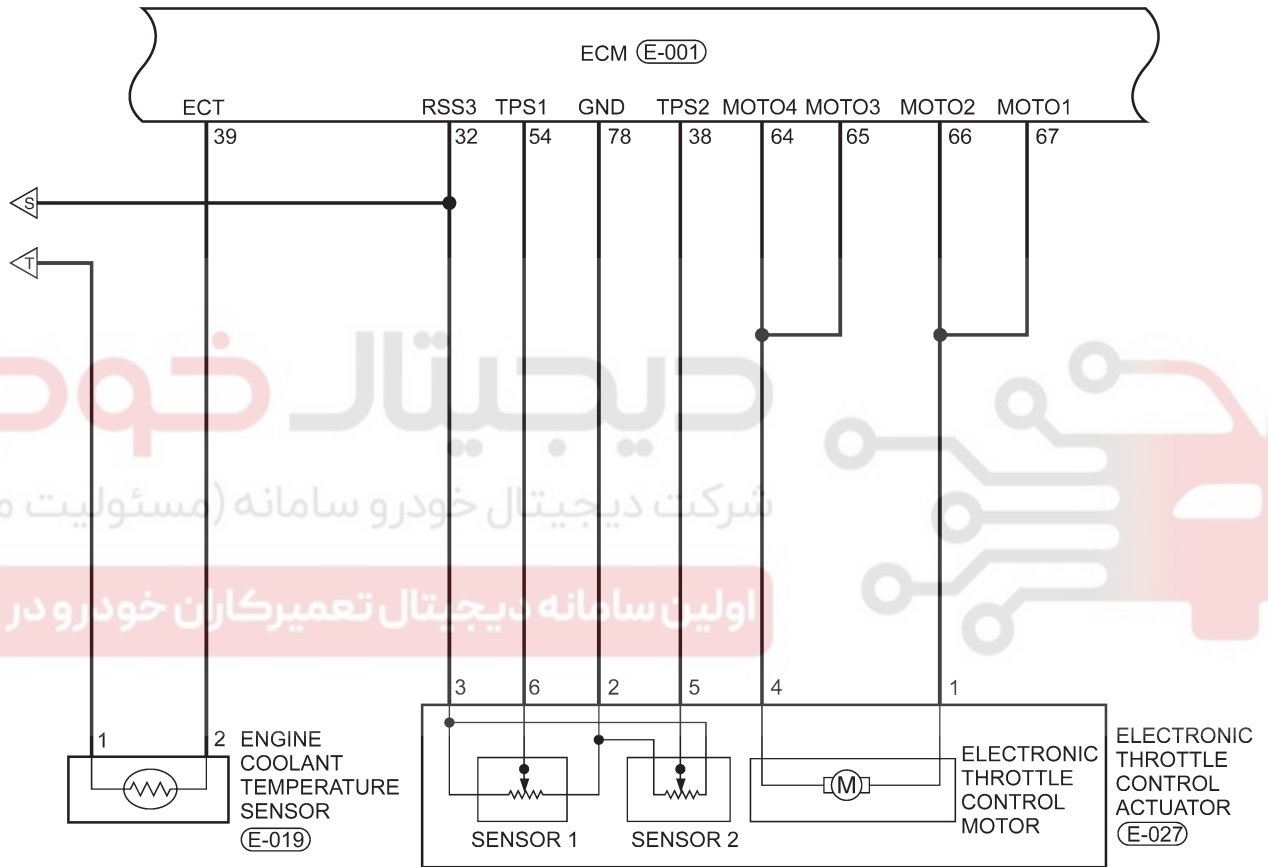


Itsmw030099t

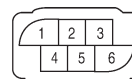


GENERAL INFORMATION

Electronic Engine Controls (Page 9 of 11)



E-001  
B



E-027  
B

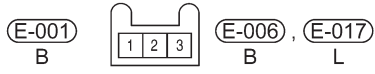
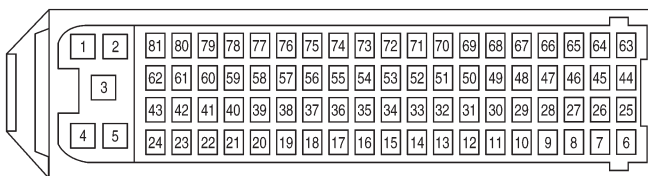
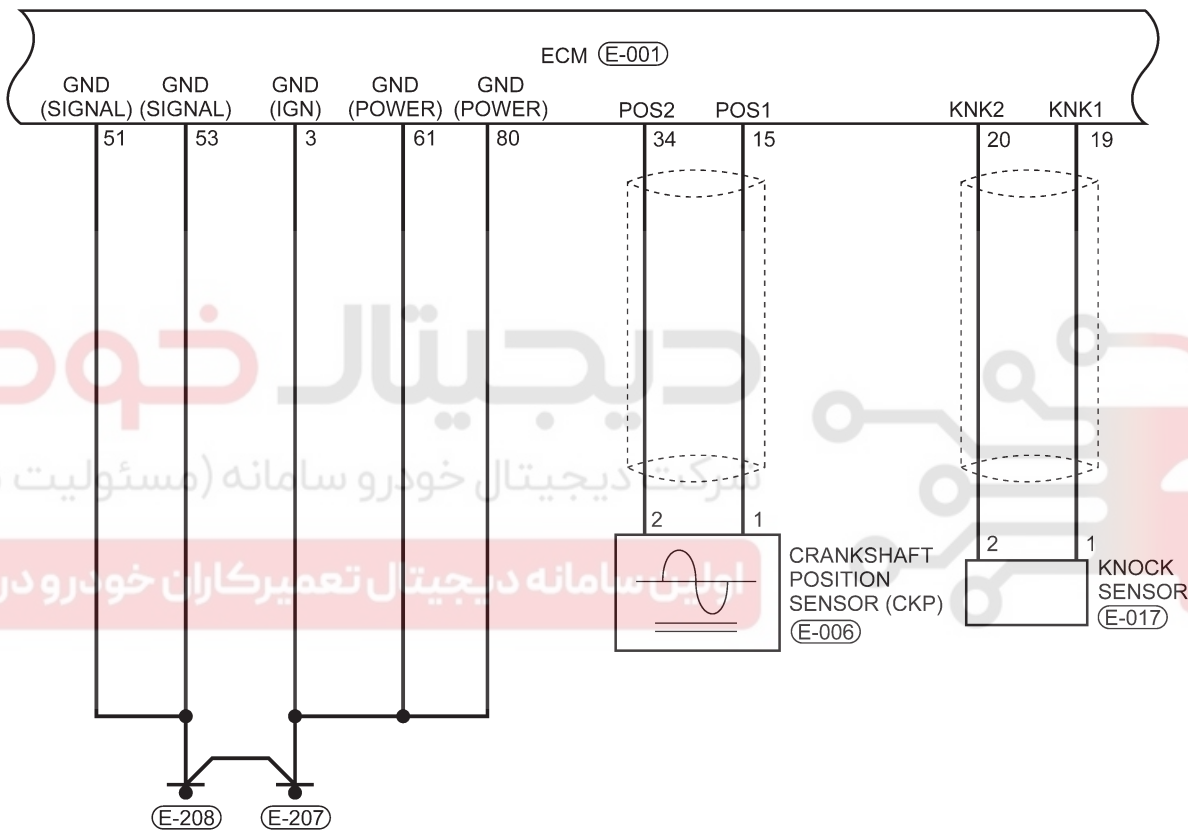


E-019  
B

GENERAL INFORMATION

Electronic Engine Controls (Page 10 of 11)

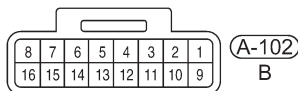
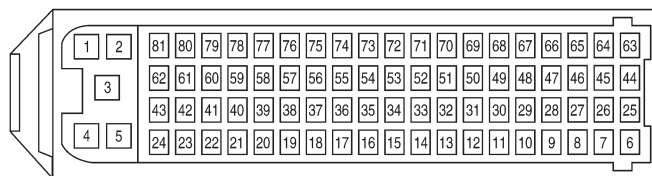
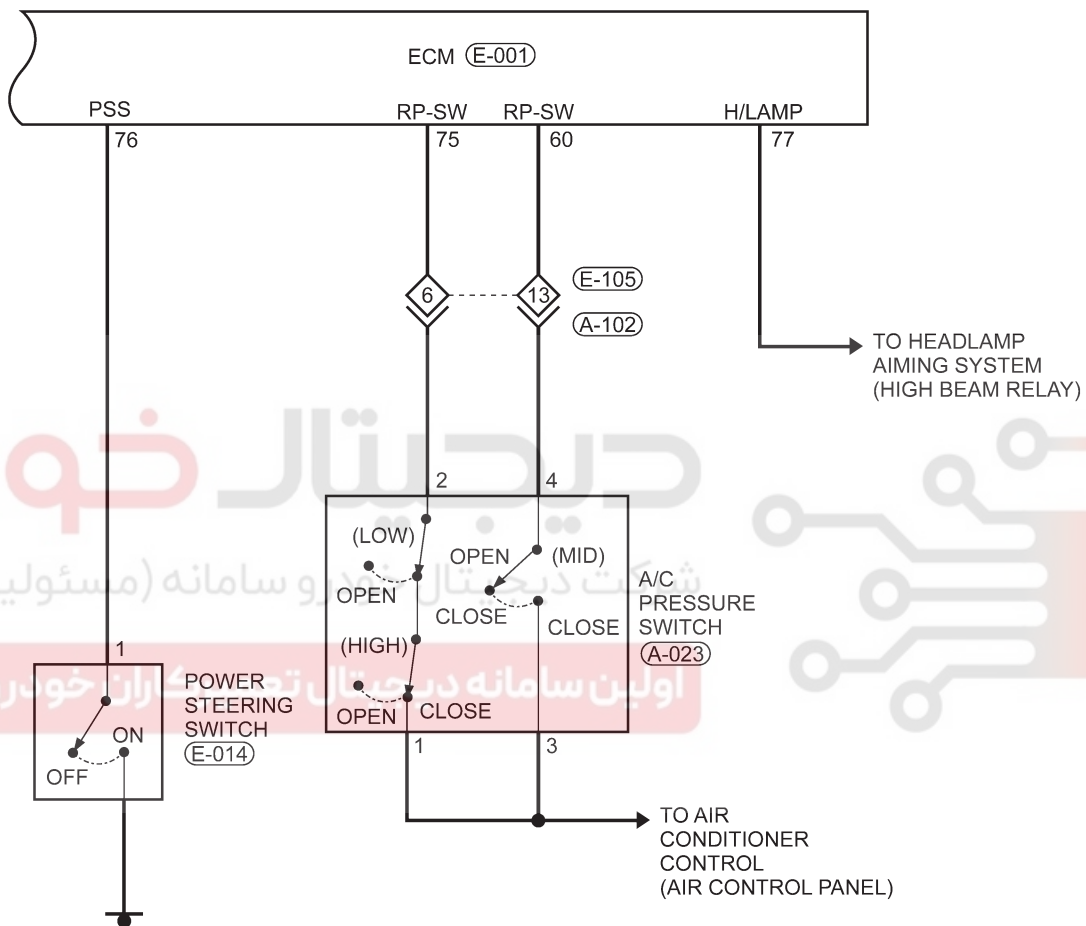
03



Itsmw030101t

GENERAL INFORMATION

Electronic Engine Controls (Page 11 of 11)



Itsmw030102t