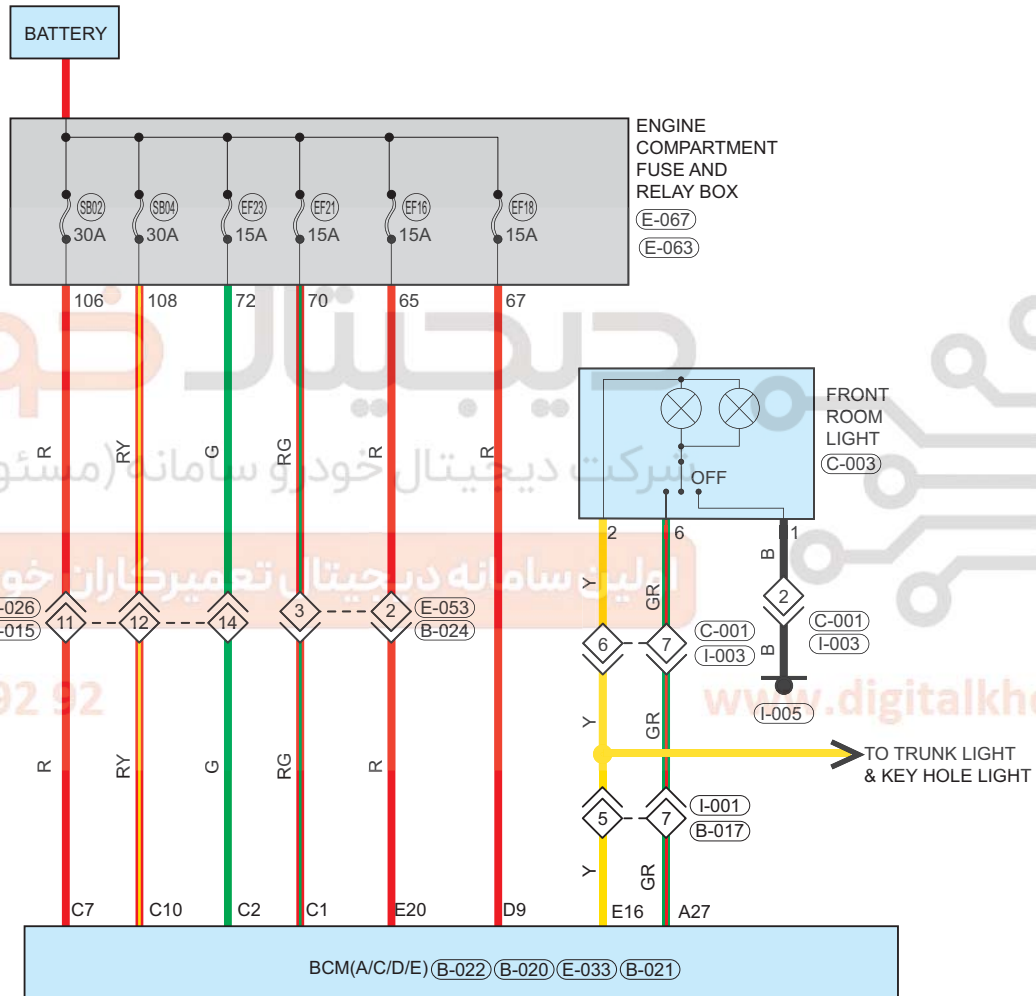


Front Room Light

Circuit Diagram (Page 1 of 1)



02 09

EA13T090540