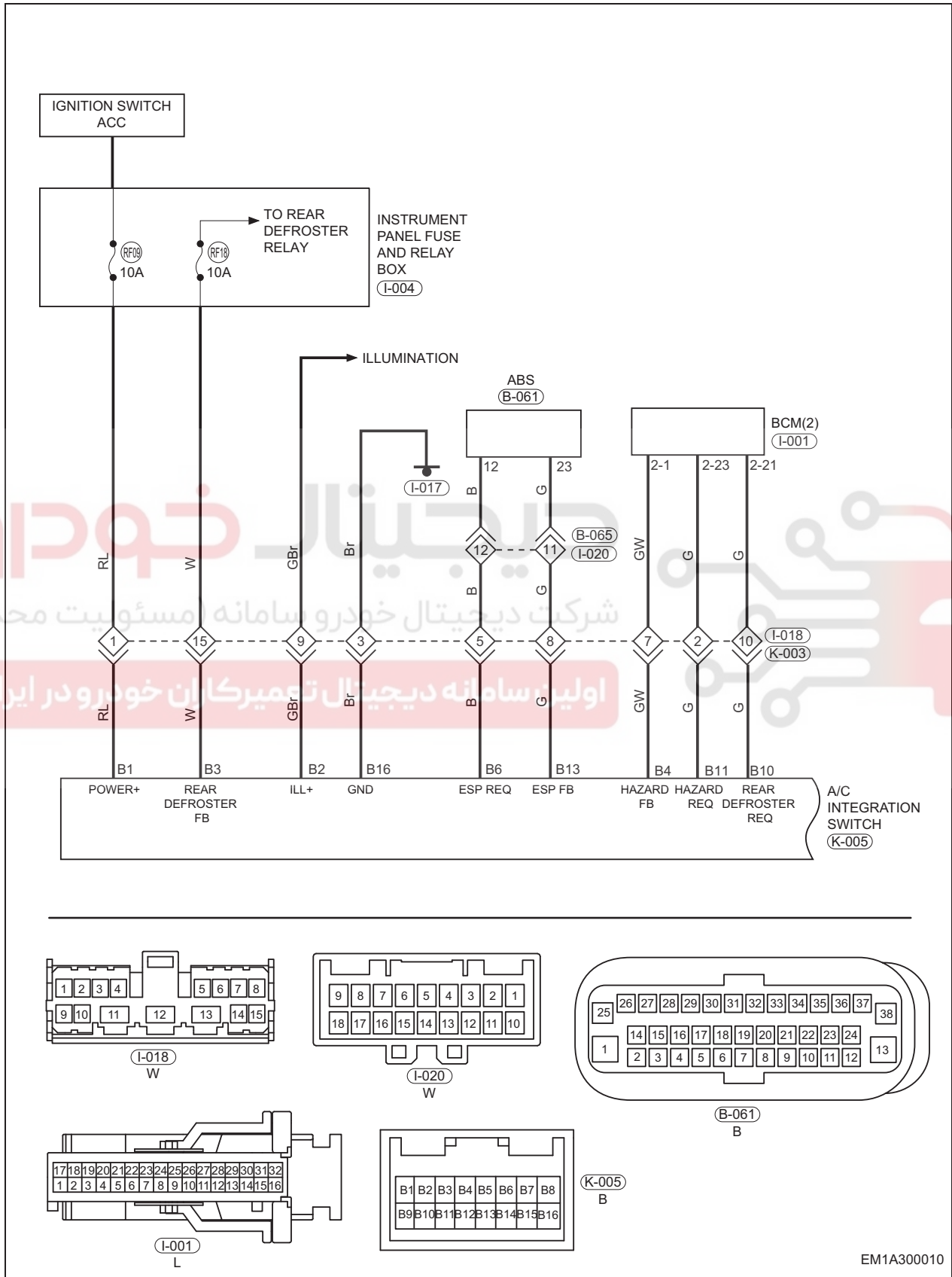


Circuit Diagram

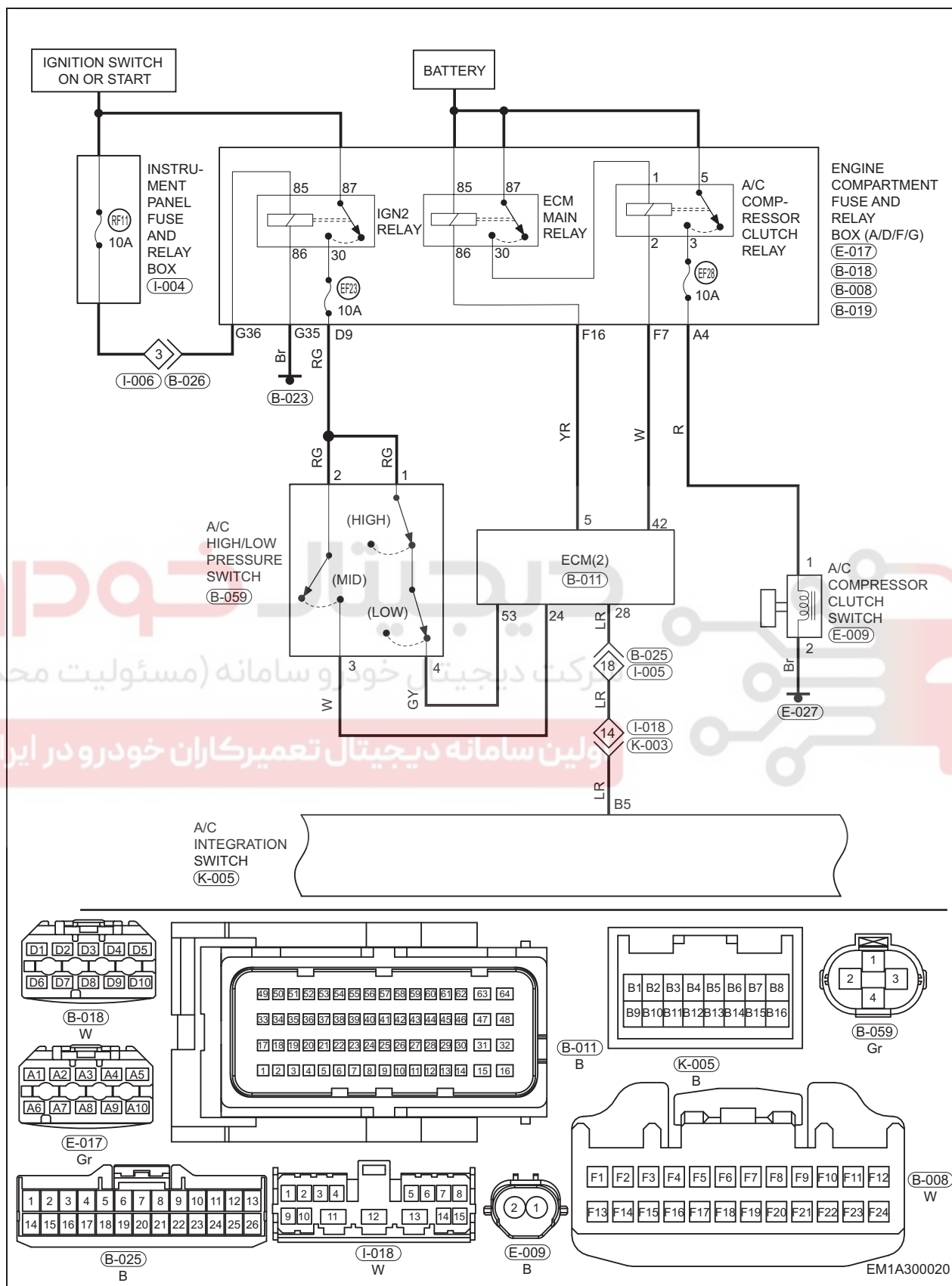
Manual A/C system (Page 1 of 3)

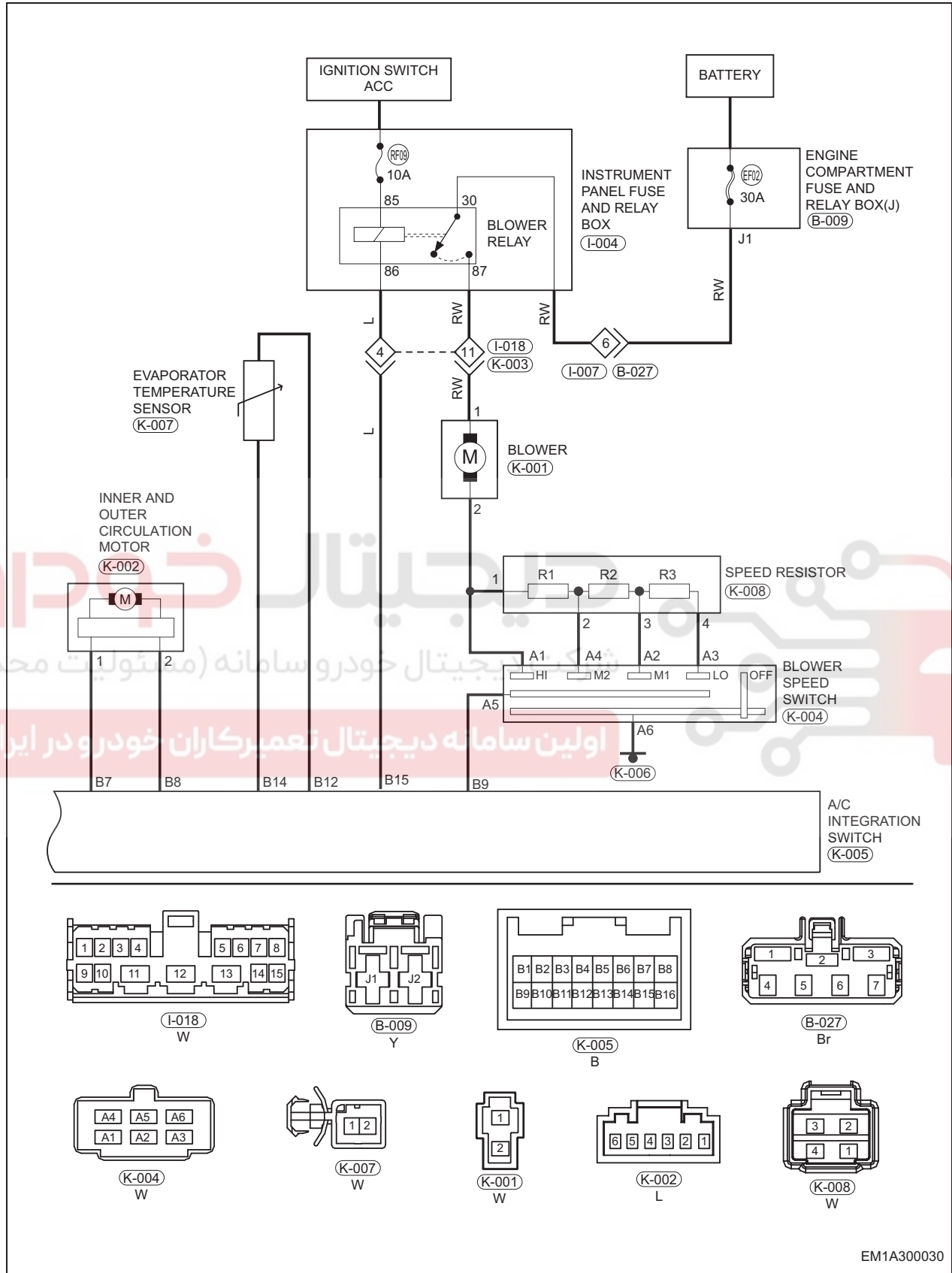
30



EM1A300010

Manual A/C system (Page 2 of 3)





EM1A300030