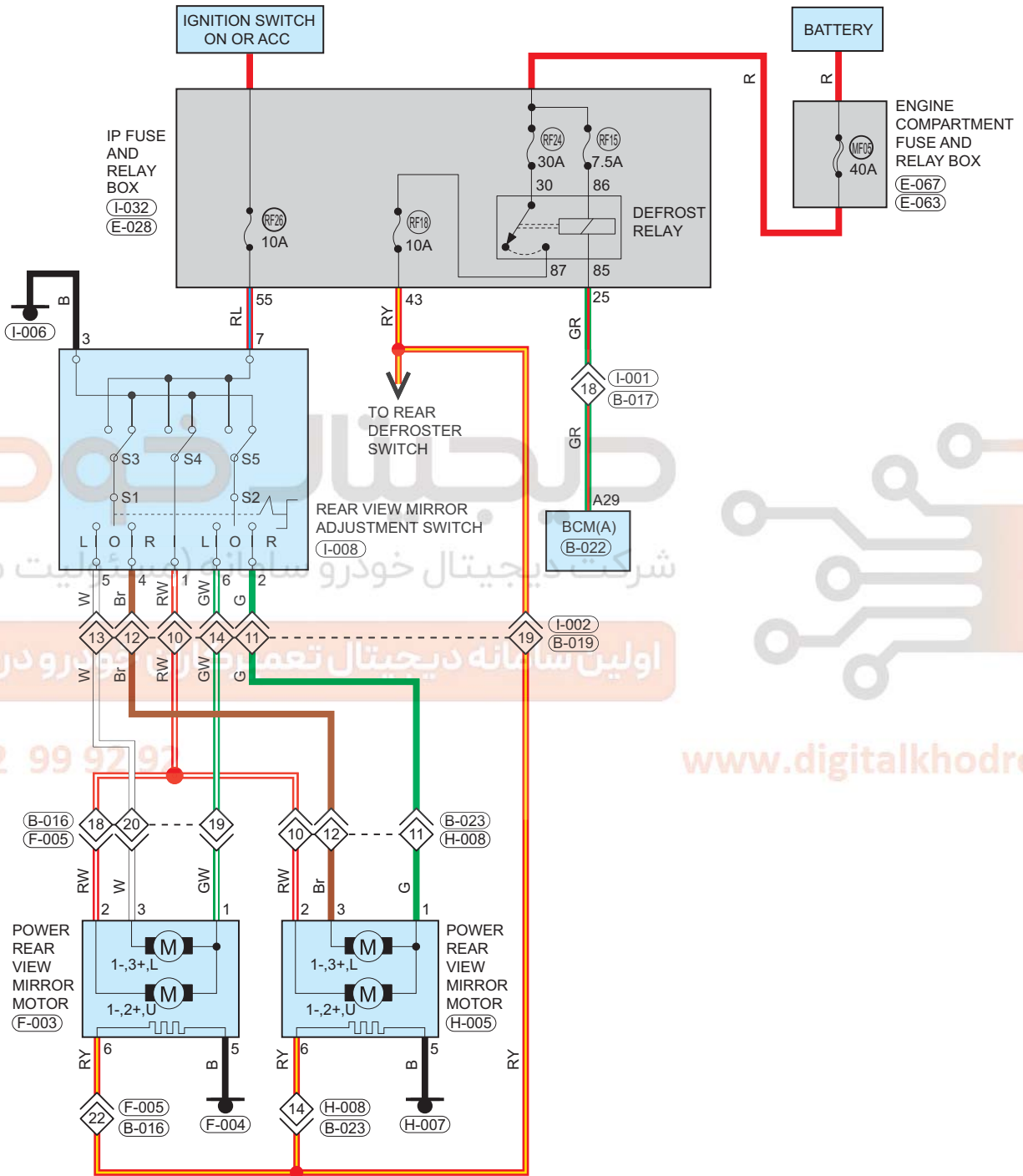


# Rear View Mirror

Circuit Diagram (Page 1 of 1)



02 09

www.digitalkhodro.com

EA13T090740