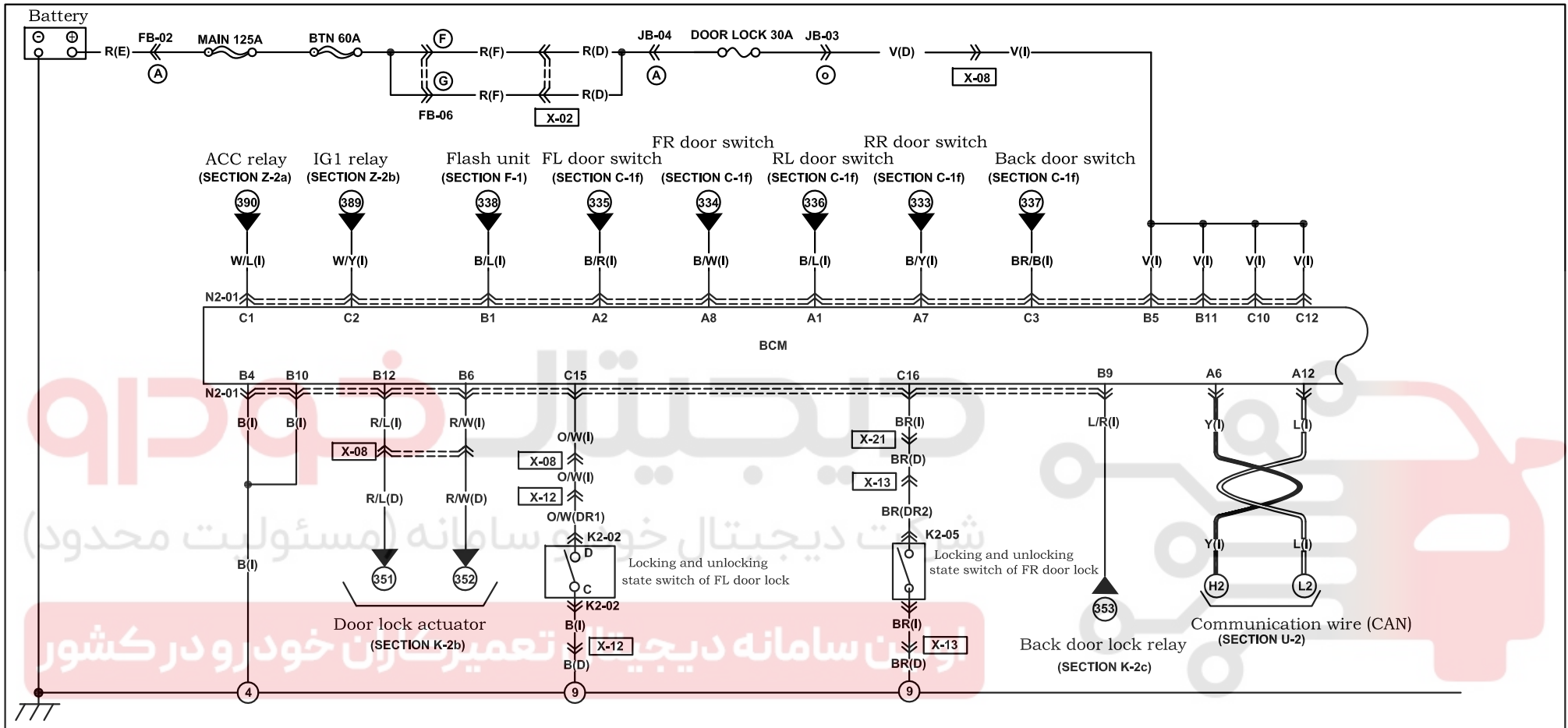
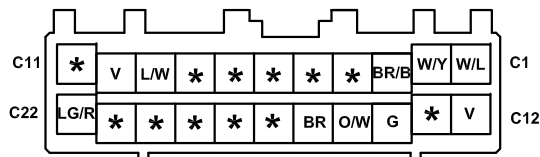
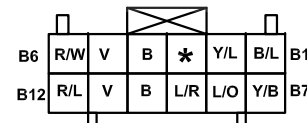


Body control system (BCM)

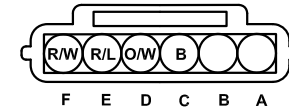
N-2a



N2-01 Body control system (BCM) (I)

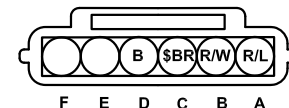


K2-02 FL door lock actuator (DR1)

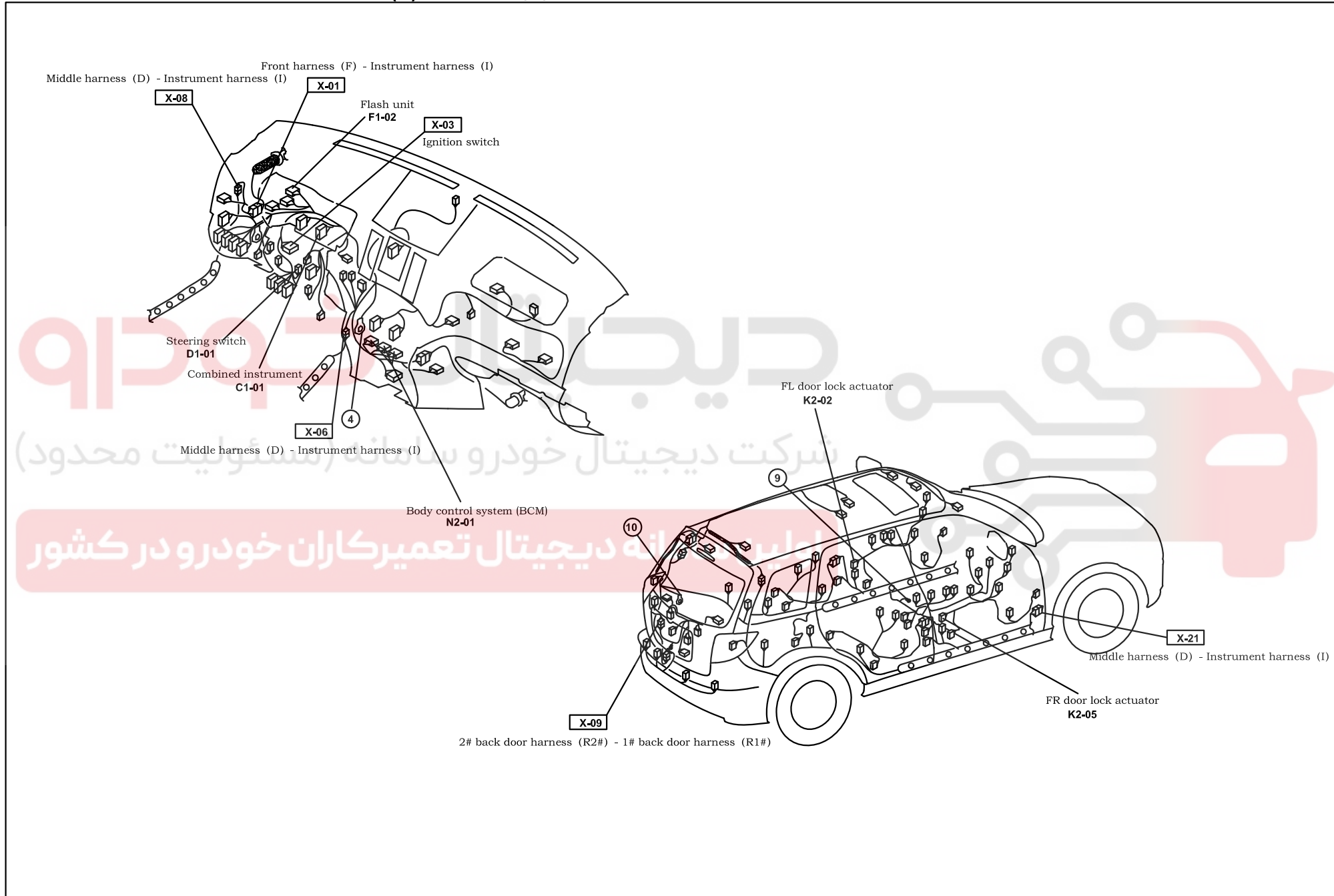


K2-05 FR door lock actuator (DR2)

\$ with PEPS

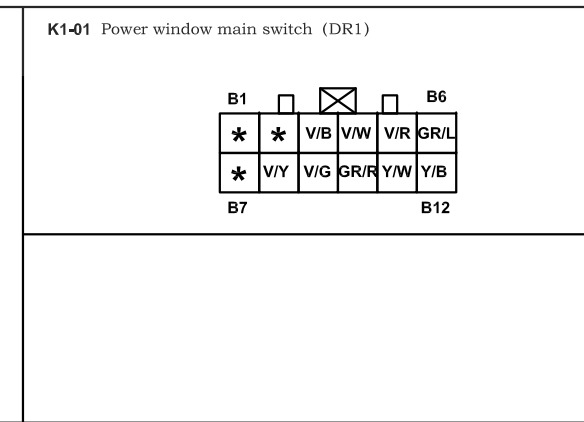
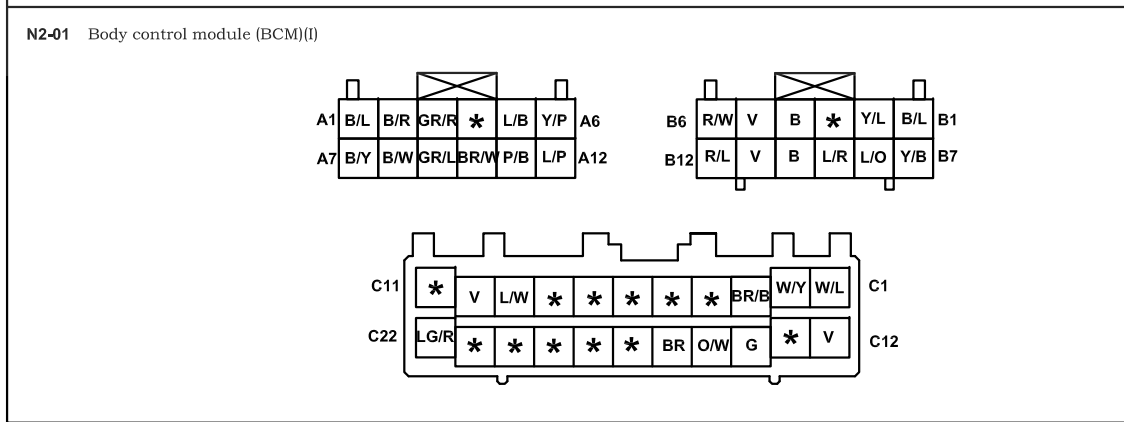
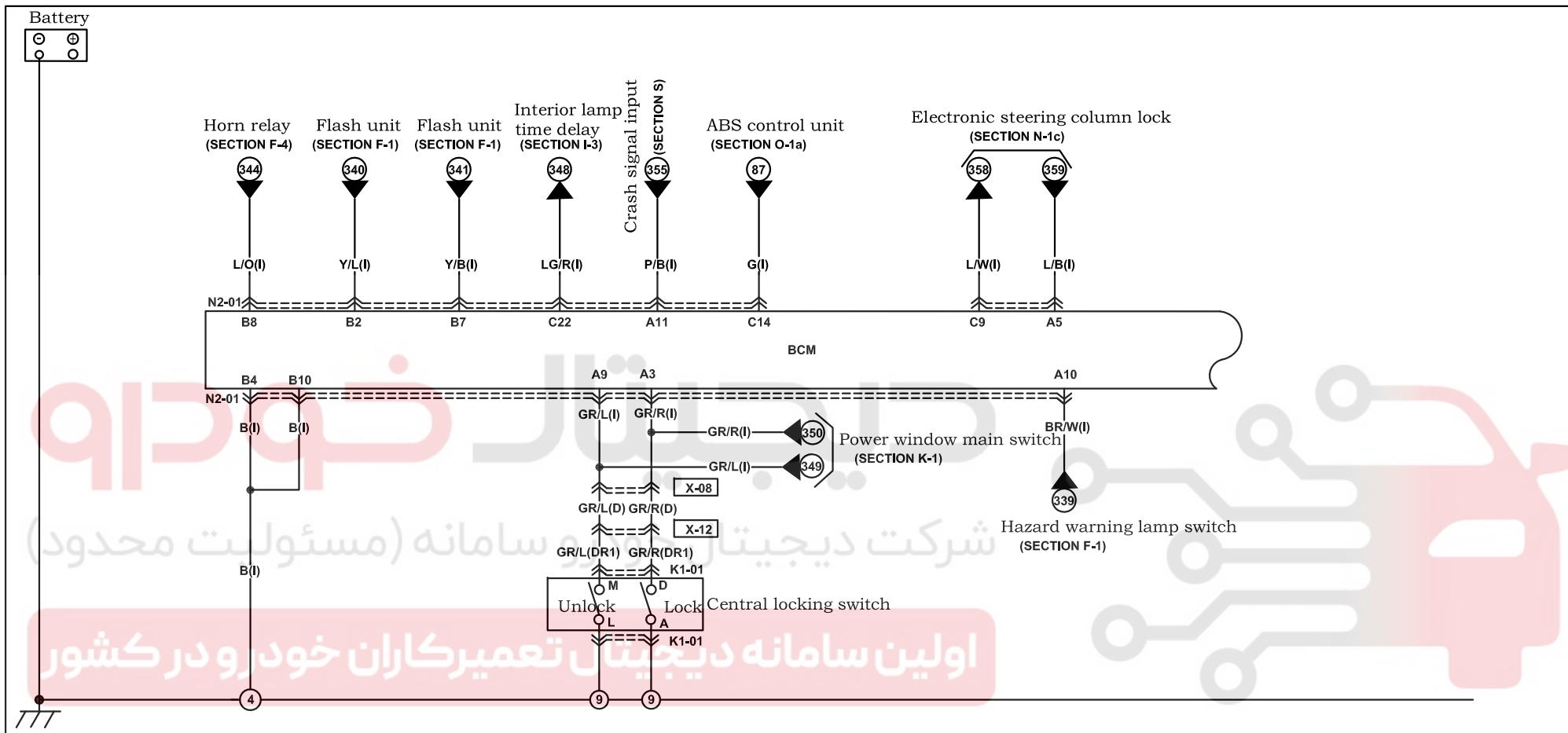


Harness mark:  (F)  (E)  (D)  (R)



Body control system (BCM)

N-2b



Harness mark:  (F)  (E)  (D)  (R)

