

BM 1.5 EFI unit circuit diagram 1

UHC-engine compartment fuse box

X07_EA Y07_AA-engine compartment wiring harness splicing to EFI wiring harness 42 holes

S07_EA-nozzle 1 connector 2 holes gray

S07_EB-nozzle 2 connector 2 holes gray

S07_EC-nozzle 3 connector 2 holes gray

S07_ED-nozzle 4 connector 2 holes gray

S11_EA-canister solenoid valve connector 2 holes black

S09_EA-variable camshaft timing connector 2 holes gray

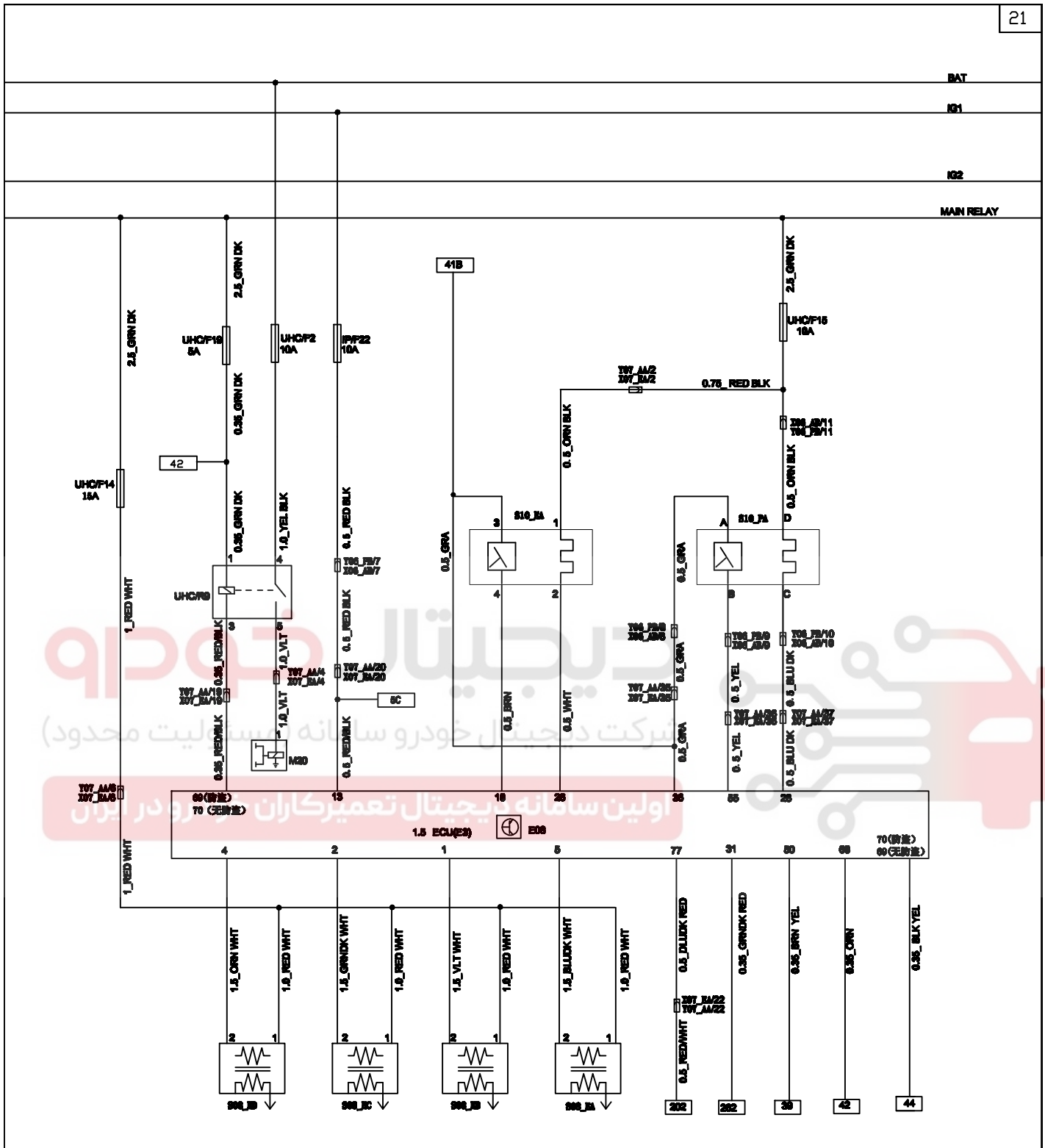
S04_EA-knock sensor connector 2 holes black

D06-clutch switch connector 2 holes white

E08-engine ECU connector 81 holes black

G07_E-EFI ground point 2 on right shock absorber

G09 ground point 1 on left shock absorber in the engine compartment



BM 1.5 EFI unit circuit diagram 2

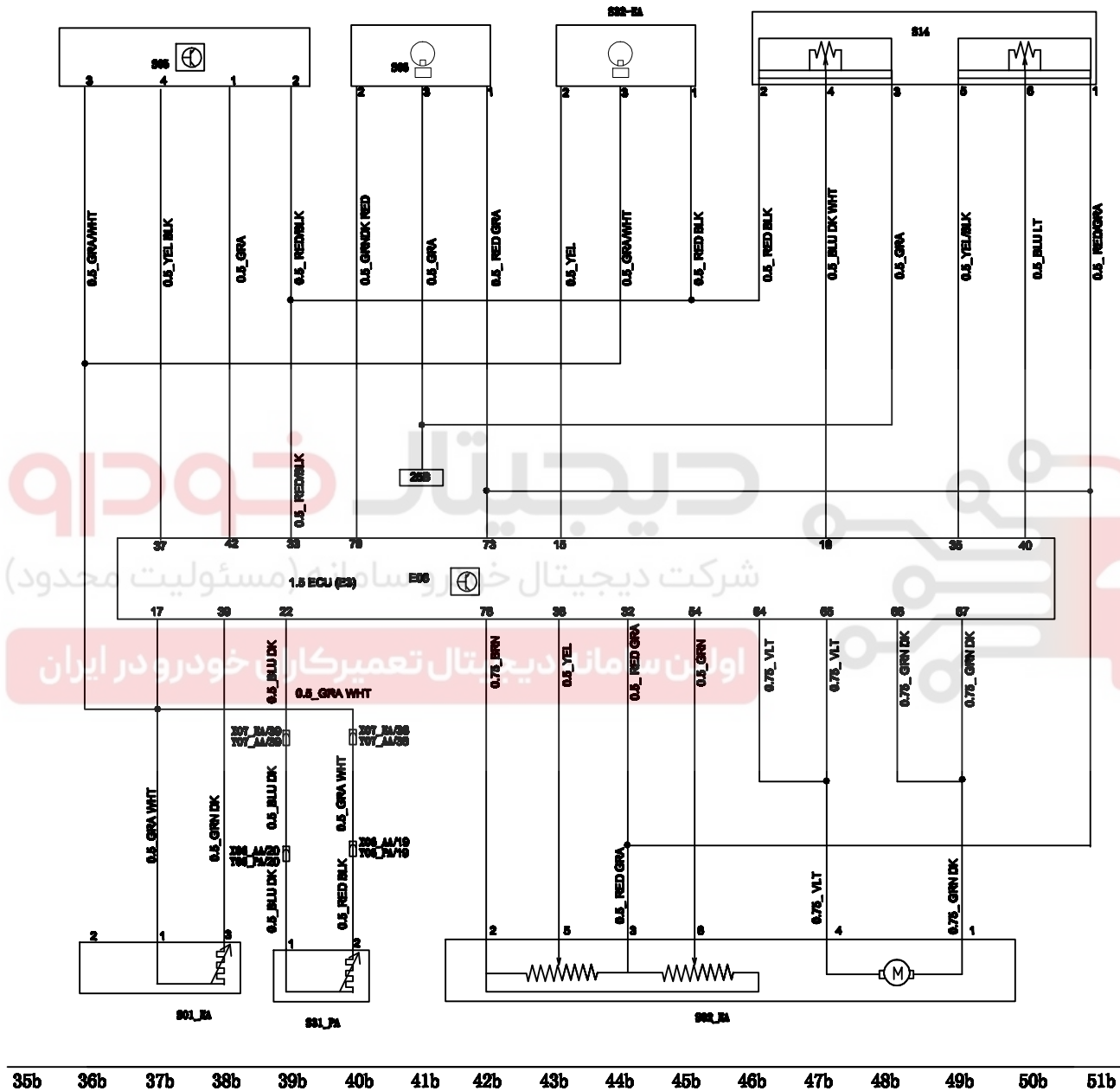
- UHC-engine compartment fuse box
- IP-dashboard fuse box
- E08-engine ECU connector 81 holes black
- X07_EA Y07_AA-engine compartment wiring harness splicing to EFI wiring harness 42 holes
- X06_AB Y06_PB-dashboard splicing to engine compartment connector 20 holes white
- S08_EA-ignition coil 1 connector 2 holes black
- S08_EB-ignition coil 2 connector 2 holes black
- S08_EC-ignition coil 3 connector 2 holes black
- S08_ED-ignition coil 4 connector 2 holes black
- S10_EA-front oxygen sensor connector 4 holes white
- S10_PA-rear oxygen sensor connector 4 holes white

BAT

IG1

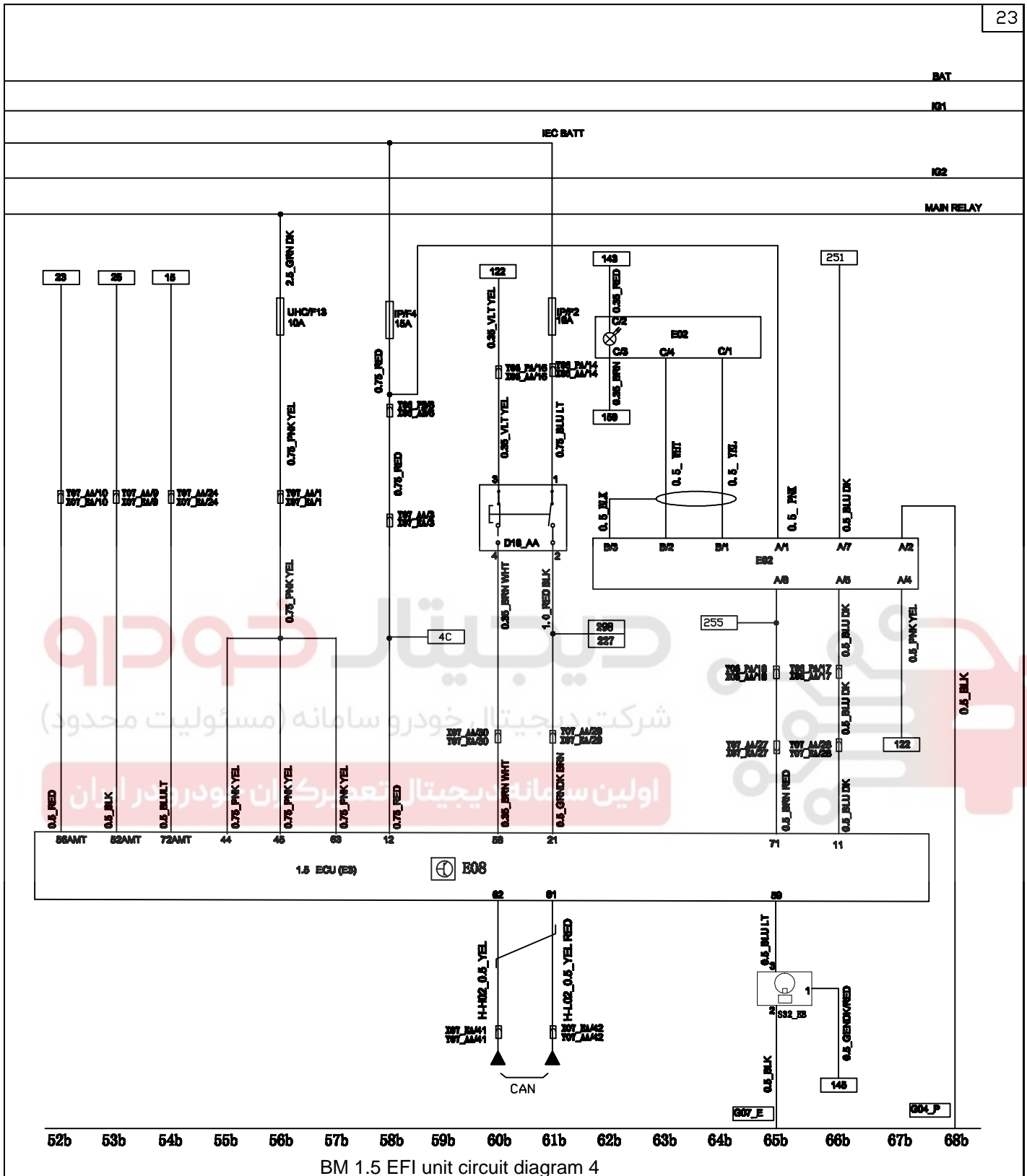
IG2

MAIN RELAY



BM 1.5 EFI unit circuit diagram 3

- E08_EA-EFI ECU connector 81 holes black
- S01_EA-water temperature sensor connector 3 holes black
- S05_EA-airflow sensor connector 4 holes gray
- S02_EA-throttle valve sensor connector 6 holes black
- S32_EA-speed sensor connector 3 holes black
- S06_EA-camshaft sensor connector 3 holes black
- S14_EA-accelerator pedal connector 6 holes black
- X07_AA Y07_EA-EFI wiring harness splicing to main wiring harness 42 holes black
- S31_PA-evaporimeter temperature sensor 2 holes
- X06_AA Y06_PA-dashboard splicing to engine compartment connector 20 holes blue



BM 1.5 EFI unit circuit diagram 4

UHC-engine compartment fuse box

IP-dashboard fuse box

E08-engine ECU connector 81 holes black

X07_AA Y07_EA-EFI wiring harness splicing to main wiring harness 42 holes black

X06_AA Y06_PA-dash-board splicing to engine compartment connector 20 holes blue

X06_AB Y06_PB-dash-board splicing to engine compartment connector 20 holes white

S32_EB-speed sensor connector 3 holes black(use for basic)

G04_P-ground point on right pillar-A

G07_E-EFI ground point 1 on right shock absorber

E02_PA-anti-theft ECU connector 8 holes black

E02_PB-anti-theft ECU coil connector 3 holes black

E02_PC-anti-theft coil connector 2 holes

D10_AA-anti-theft coil connector 4 holes black