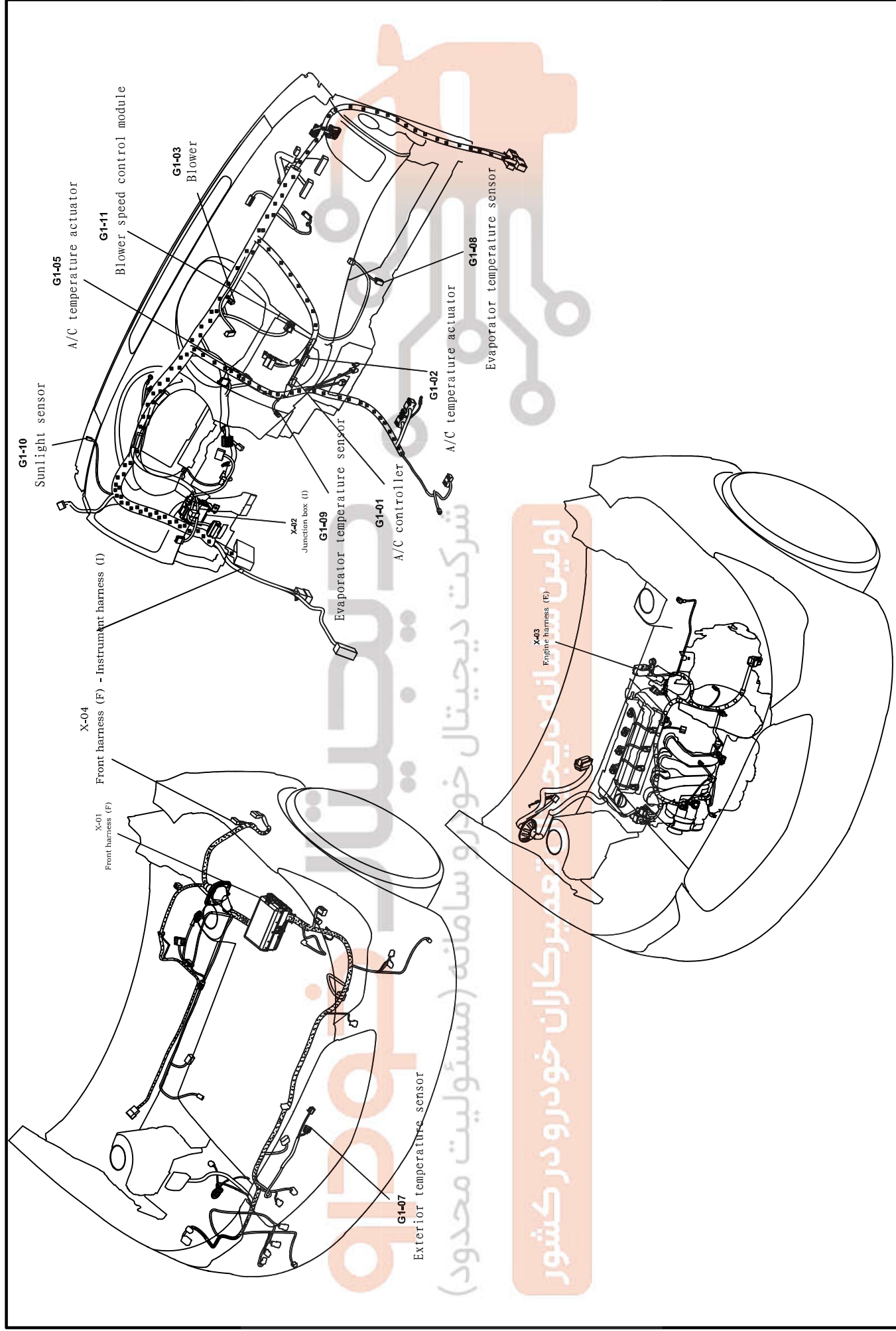
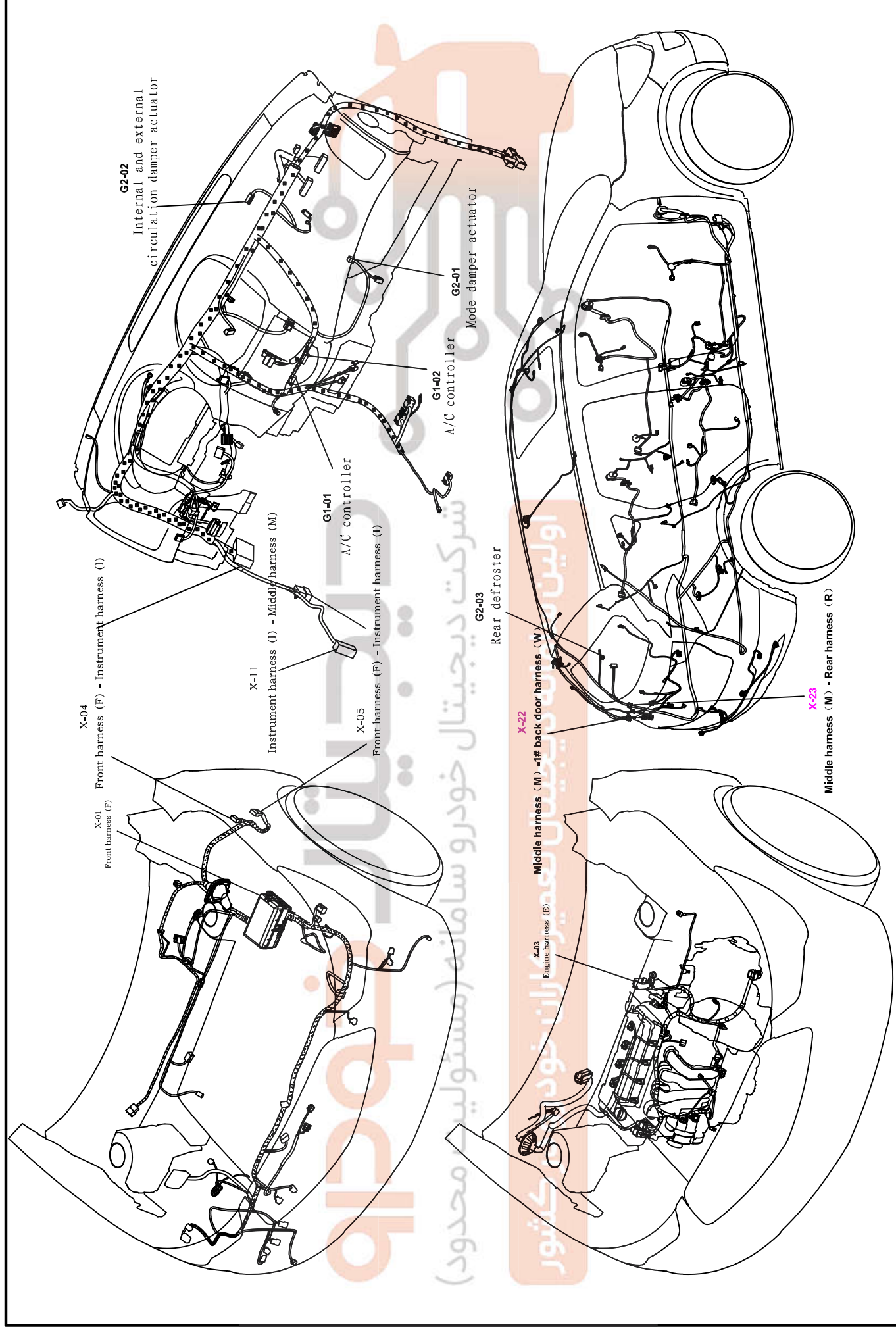


<p>G1-01 A/C controller (I)</p> <table border="1"> <tr><td>1</td><td>2</td><td>3</td><td>4</td><td>5</td><td>6</td><td>7</td><td>8</td><td>9</td><td>10</td><td>11</td><td>12</td><td>13</td><td>14</td><td>15</td><td>16</td><td>17</td><td>18</td><td>19</td><td>20</td></tr> <tr><td>L/Y</td><td>G</td><td>Y/R</td><td>GR</td><td>Y</td><td>GR/R</td><td>Y</td><td>Y/G</td><td>L/W</td><td>L/W</td><td>R/B</td><td>L/W</td><td>L</td><td>L/R</td><td>P</td><td>L</td><td>R/Y</td><td>L</td><td>G</td><td>W/L</td><td>B</td></tr> <tr><td>L</td><td>P</td><td>P</td><td>P</td><td>P</td><td>P</td><td>P</td><td>P</td><td>P</td><td>P</td><td>P</td><td>P</td><td>P</td><td>P</td><td>P</td><td>P</td><td>P</td><td>P</td><td>P</td><td>P</td><td>P</td></tr> </table>	1	2	3	4	5	6	7	8	9	10	11	12	13	14	15	16	17	18	19	20	L/Y	G	Y/R	GR	Y	GR/R	Y	Y/G	L/W	L/W	R/B	L/W	L	L/R	P	L	R/Y	L	G	W/L	B	L	P	P	P	P	P	P	P	P	P	P	P	P	P	P	P	P	P	P	P	P	<p>G1-03 Blower (I)</p> <table border="1"> <tr><td>1</td><td>2</td></tr> <tr><td>A</td><td>B</td></tr> <tr><td>L/W</td><td>L/W</td></tr> </table>	1	2	A	B	L/W	L/W	<p>G1-05 A/C temperature actuator (I)</p> <table border="1"> <tr><td>1</td><td>2</td><td>3</td><td>4</td></tr> <tr><td>O</td><td>G/Y</td><td>G/Y</td><td>Y/G</td></tr> <tr><td>Y</td><td>Y</td><td>Y</td><td>Y</td></tr> </table>	1	2	3	4	O	G/Y	G/Y	Y/G	Y	Y	Y	Y	<p>G1-07 Exterior temperature sensor (F)</p> <table border="1"> <tr><td>1</td><td>2</td></tr> <tr><td>A</td><td>B</td></tr> <tr><td>Y/G</td><td>G</td></tr> </table>	1	2	A	B	Y/G	G	<p>G1-09 Interior temperature sensor (I)</p> <table border="1"> <tr><td>1</td><td>2</td></tr> <tr><td>A</td><td>B</td></tr> <tr><td>Y/G</td><td>GR</td></tr> </table>	1	2	A	B	Y/G	GR	
1	2	3	4	5	6	7	8	9	10	11	12	13	14	15	16	17	18	19	20																																																																														
L/Y	G	Y/R	GR	Y	GR/R	Y	Y/G	L/W	L/W	R/B	L/W	L	L/R	P	L	R/Y	L	G	W/L	B																																																																													
L	P	P	P	P	P	P	P	P	P	P	P	P	P	P	P	P	P	P	P	P																																																																													
1	2																																																																																																
A	B																																																																																																
L/W	L/W																																																																																																
1	2	3	4																																																																																														
O	G/Y	G/Y	Y/G																																																																																														
Y	Y	Y	Y																																																																																														
1	2																																																																																																
A	B																																																																																																
Y/G	G																																																																																																
1	2																																																																																																
A	B																																																																																																
Y/G	GR																																																																																																
<p>G1-02 A/C controller (I)</p> <table border="1"> <tr><td>1</td><td>2</td><td>3</td><td>4</td><td>5</td><td>6</td><td>7</td><td>8</td><td>9</td><td>10</td><td>11</td><td>12</td><td>13</td><td>14</td><td>15</td><td>16</td><td>17</td><td>18</td><td>19</td><td>20</td></tr> <tr><td>W/L</td><td>Y/G</td><td>O</td><td>Y</td><td>G</td><td>Y/G</td><td>R/Y</td><td>L</td><td>L/R</td><td>P</td><td>L</td><td>R/Y</td><td>L</td><td>G</td><td>W/L</td><td>B</td><td>L</td><td>R/Y</td><td>L</td><td>G</td><td>W/L</td></tr> <tr><td>Y</td><td>B/Y</td><td>R</td><td>P/B</td><td>BR</td><td>G/Y</td><td>W/L</td><td>G</td><td>L/W</td><td>B</td><td>L</td><td>R/Y</td><td>L</td><td>G</td><td>W/L</td><td>B</td><td>L</td><td>R/Y</td><td>L</td><td>G</td><td>W/L</td></tr> </table>	1	2	3	4	5	6	7	8	9	10	11	12	13	14	15	16	17	18	19	20	W/L	Y/G	O	Y	G	Y/G	R/Y	L	L/R	P	L	R/Y	L	G	W/L	B	L	R/Y	L	G	W/L	Y	B/Y	R	P/B	BR	G/Y	W/L	G	L/W	B	L	R/Y	L	G	W/L	B	L	R/Y	L	G	W/L	<p>G1-08 Evaporator temperature sensor (I)</p> <table border="1"> <tr><td>1</td><td>2</td></tr> <tr><td>A</td><td>B</td></tr> <tr><td>Y/G</td><td>L/Y</td></tr> </table>	1	2	A	B	Y/G	L/Y	<p>G1-10 Sunlight sensor (I)</p> <table border="1"> <tr><td>1</td><td>2</td></tr> <tr><td>A</td><td>B</td></tr> <tr><td>Y/G</td><td>Y/R</td></tr> </table>	1	2	A	B	Y/G	Y/R	<p>G1-11 Blower speed control module (I)</p> <table border="1"> <tr><td>1</td><td>2</td><td>3</td><td>4</td></tr> <tr><td>L/R</td><td>L/W</td><td>L/W</td><td>B</td></tr> </table>	1	2	3	4	L/R	L/W	L/W	B												
1	2	3	4	5	6	7	8	9	10	11	12	13	14	15	16	17	18	19	20																																																																														
W/L	Y/G	O	Y	G	Y/G	R/Y	L	L/R	P	L	R/Y	L	G	W/L	B	L	R/Y	L	G	W/L																																																																													
Y	B/Y	R	P/B	BR	G/Y	W/L	G	L/W	B	L	R/Y	L	G	W/L	B	L	R/Y	L	G	W/L																																																																													
1	2																																																																																																
A	B																																																																																																
Y/G	L/Y																																																																																																
1	2																																																																																																
A	B																																																																																																
Y/G	Y/R																																																																																																
1	2	3	4																																																																																														
L/R	L/W	L/W	B																																																																																														



اولین مستطانه دیجیتال خودرو دیجیتال (مستطالیت محدود)

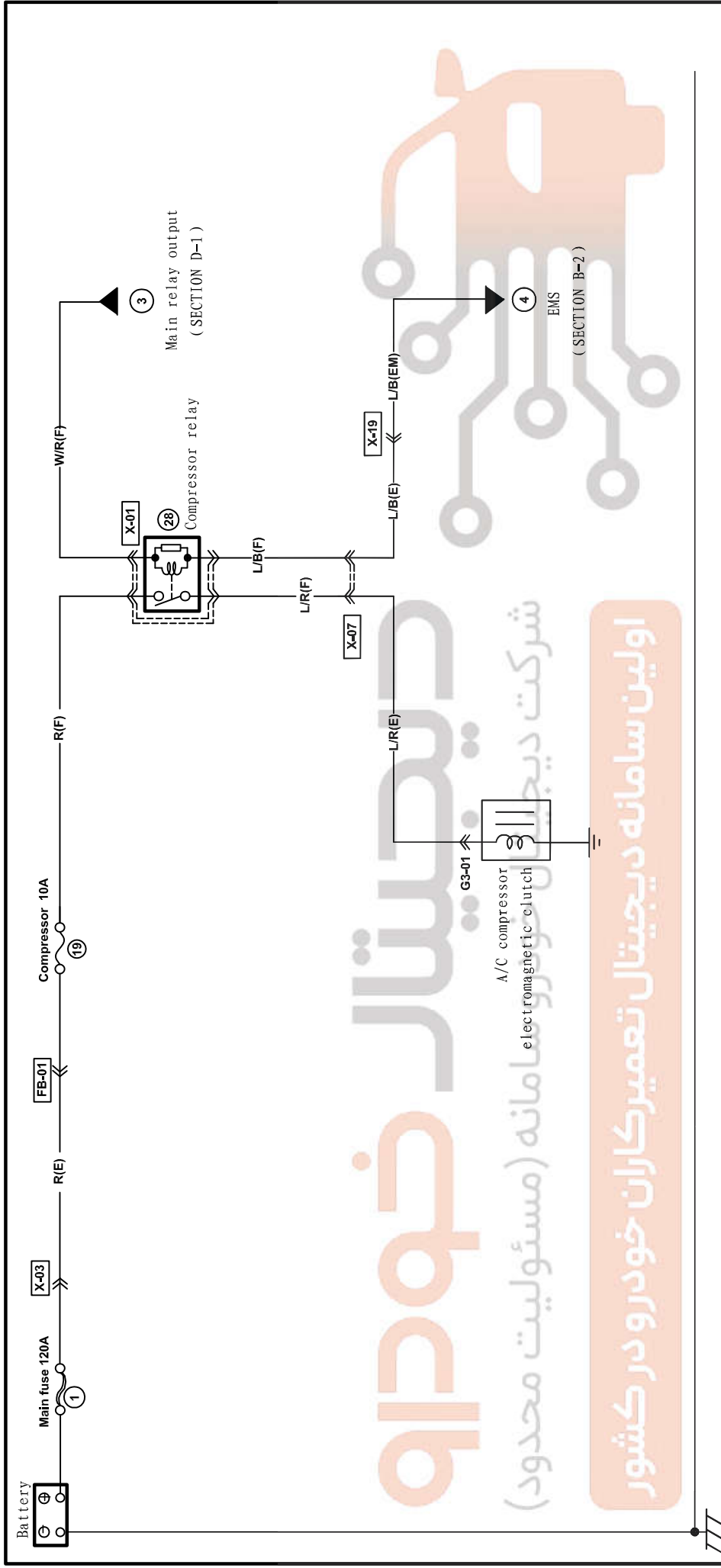
شرکت دیجیتال خودرو

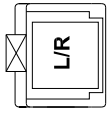


اولین مرکز تخصصی تعمیرات خودرو در پاکستان
 شرکت دیجیتال خودروسامانه (مسئولیت محدود)

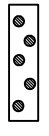
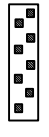
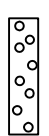
Heating And Air Conditioning System(A/C compressor)

G-3



<p>G3-01 Electromagnetic clutch (E)</p> 				

دیجیتال خودرو
 شرکت دیجیتال خودرو سامانه (مسئولیت محدود)
 اولین سامانه دیجیتال تعمیرکاران خودرو در کشور

Harness mark :  F  I  E

