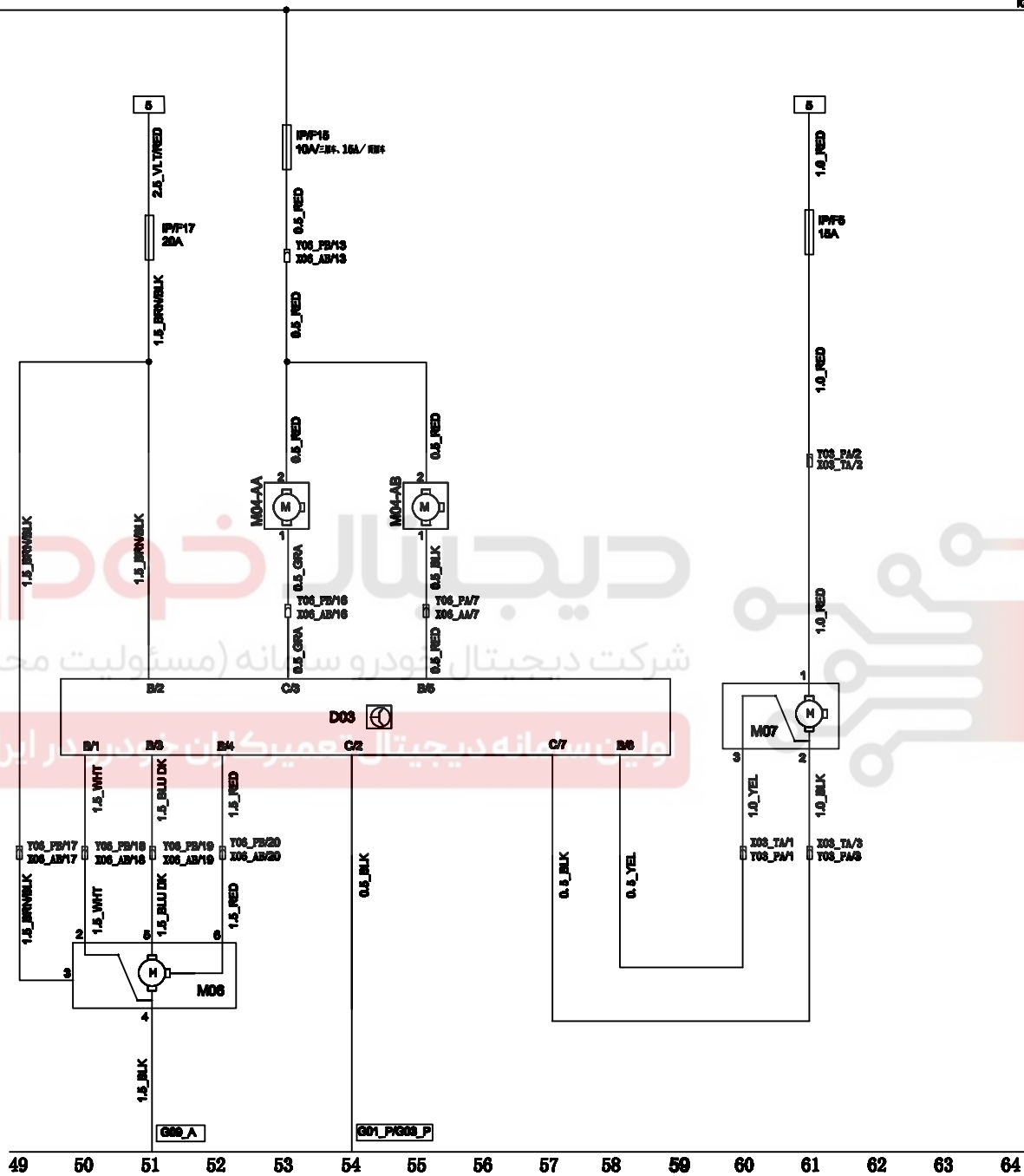


BAT

IG1

ACC

IG2



Wiper control switch, front wiper motor, washing fluid pump circuit diagram

UHC-engine compartment fuse box  
 UHB(BAT)-connection, engine compartment fuse box connecting to positive pole of battery  
 IP-dashboard fuse box  
 M04\_AA-front washing fluid pump motor  
 M04\_AB-rear washing fluid pump motor  
 D03-wiper switch  
 M06-front windscreen wiper motor  
 M04-washing fluid pump motor  
 H07-rear wind screen wiper motor  
 X06\_AB Y06\_PB-main wiring harness and engine compartment wiring harness splicing connector 20 holes white  
 X06\_AA Y06\_PA-main wiring harness and engine compartment wiring harness splicing connector 20 holes blue

H07\_TA-rear wiper motor connector 5 holes gray  
 M06\_AA-front wiper motor connector 6 holes black  
 D03\_PB-wiper switch connector 14 holes white  
 M04\_AA-washing fluid pump motor connector (3 volumes saloon) 2 holes white  
 M04\_AB-washing fluid pump motor connector (hatchback car) 2 holes white  
 X03\_PA Y03\_TA-main wiring harness and tailgate wiring harness splicing connector 20 holes blue  
 G01\_P-ground point on pillar-A at the left of main wiring harness  
 G09\_A-ground point1 at left front shock absorber in the engine compartment