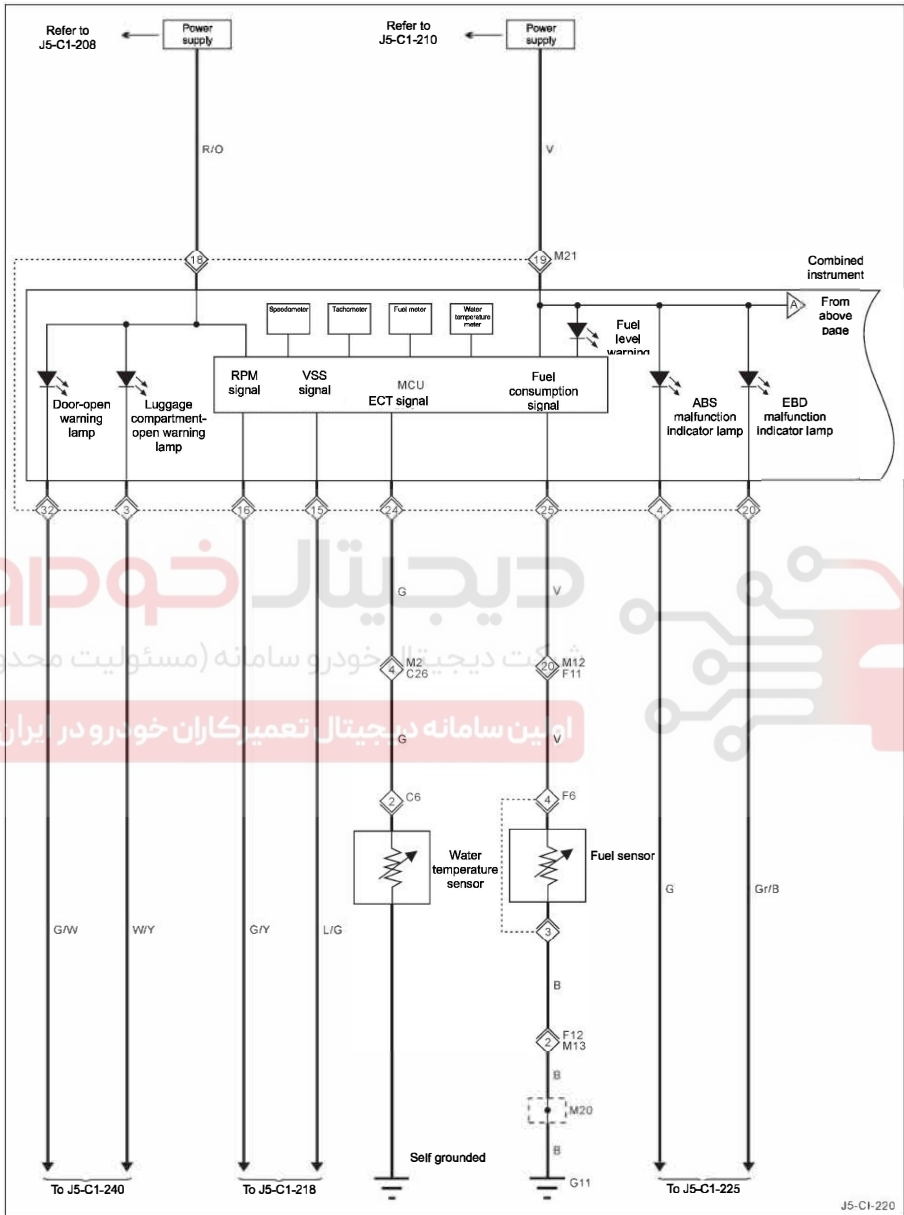
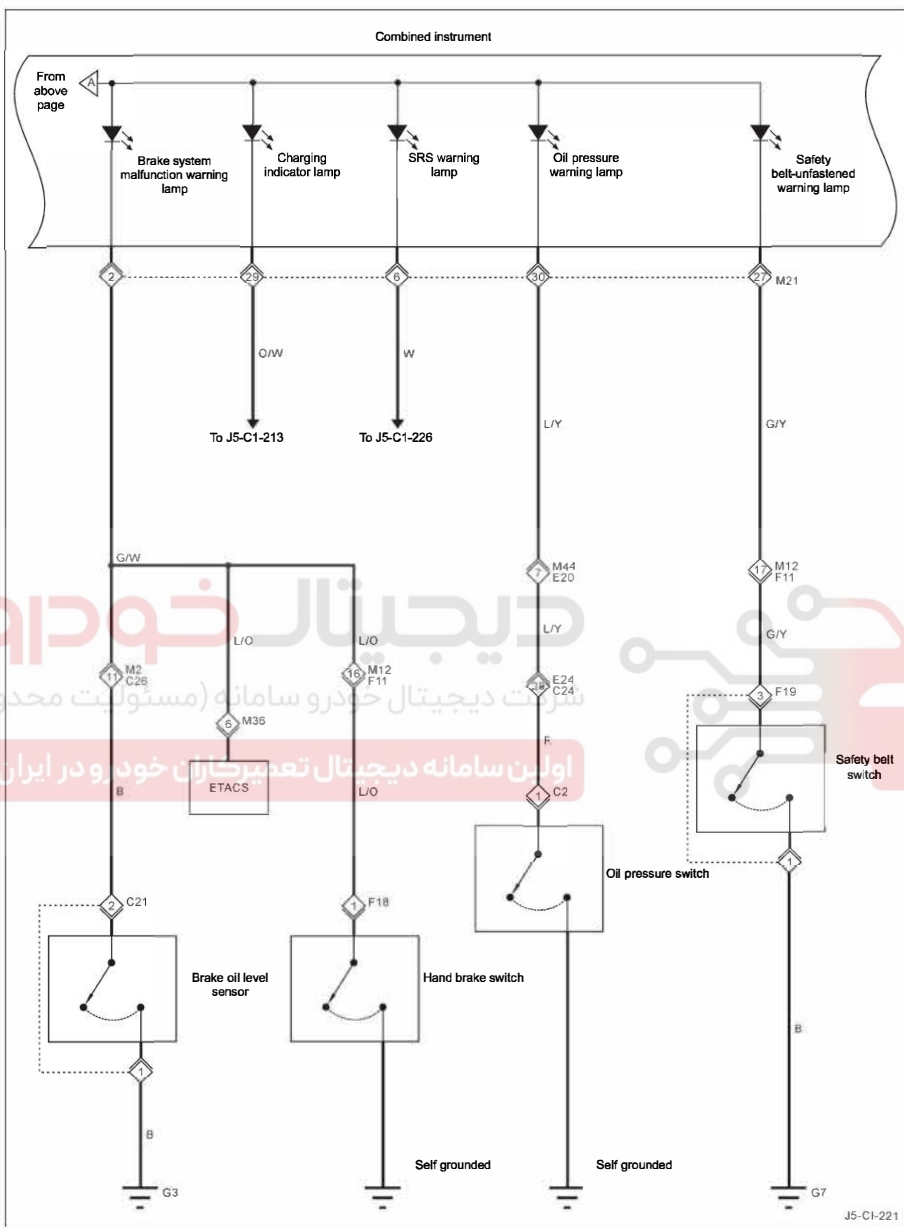


Circuit diagram

Combined instrument



Circuit diagram



دیجیتال خودرو (مستولیت محدود)
اولین سامانه دیجیتال تعمیرکاران خودرو در ایران

◇: harness plug

No.	No.	Description of harness plug
C24	E24	Engine control harness –engine harness (near the brake oil tank)
C26	M2	Engine control harness – main harness (below and on the right of dashboard)
E18	M42	Engine harness – main harness (below and on the left of dashboard)
E20	M44	Engine harness – main harness (below and on the left of dashboard)
M12	F11	Main harness – vehicle frame harness (below and on the left of dashboard)
M13	F12	Main harness –vehicle frame harness (below and on the left of dashboard)

□: switch and electrical device

No.	Description	Position
C2	To oil pressure sensor	Engine control harness
C6	To water temperature sensor	Engine control harness
C21	To brake oil level sensor	Engine control harness
F6	To fuel pump	Vehicle frame harness
F18	To hand brake switch	Vehicle frame harness
F19	To safety belt switch	Vehicle frame harness
M21	To combined instrument	Main harness
M36	To ETACS	Main harness