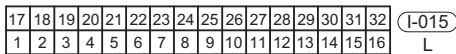
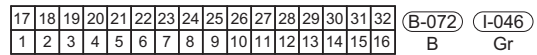
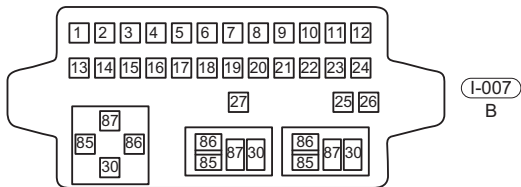
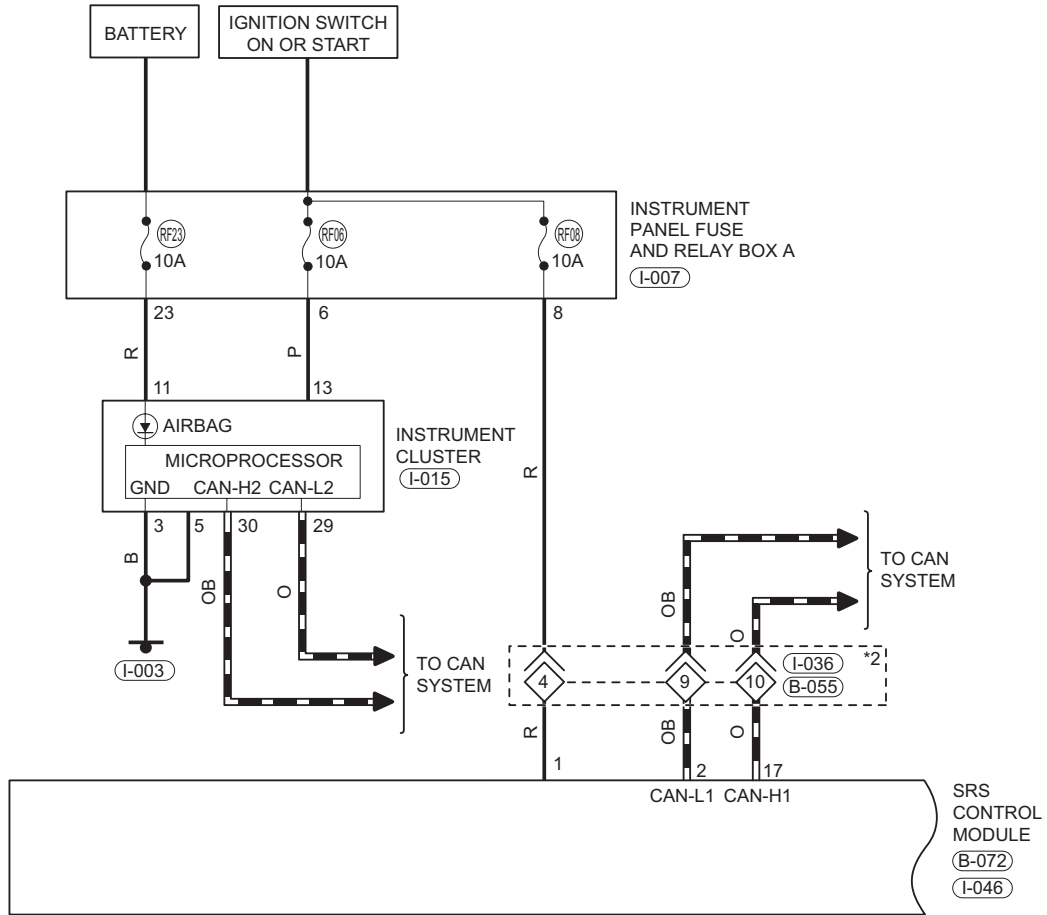


# Circuit Diagram

## Supplemental Restraint System (Page 1 of 3)

\*1: SRS control module connector is I-046  
 \*2: SRS control module connector is B-072



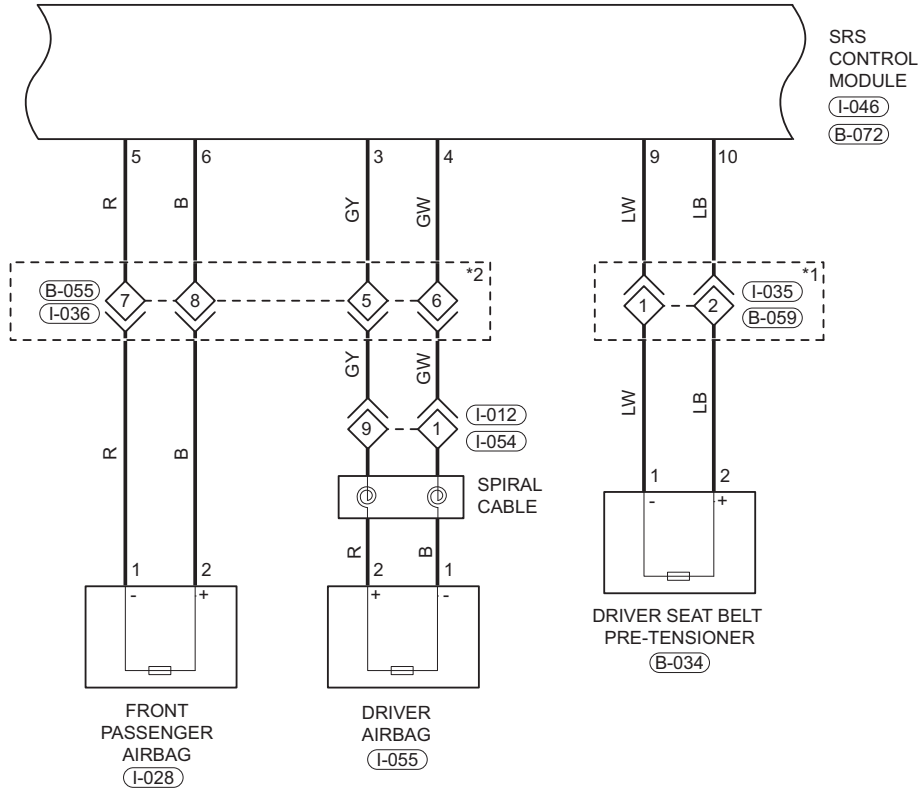
ET21320010



Supplemental Restraint System (Page 2 of 3)

32

\*1: SRS control module connector is I-046  
 \*2: SRS control module connector is B-072



17	18	19	20	21	22	23	24	25	26	27	28	29	30	31	32
1	2	3	4	5	6	7	8	9	10	11	12	13	14	15	16

I-046 Gr  
 B-072 B

9	10	11	12	13	14	15	16
1	2	3	4	5	6	7	8

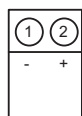
I-012 W

9	8	7	6	5	4	3	2	1
18	17	16	15	14	13	12	11	10

I-035 W



I-028 Gr



B-034 B



I-055 B

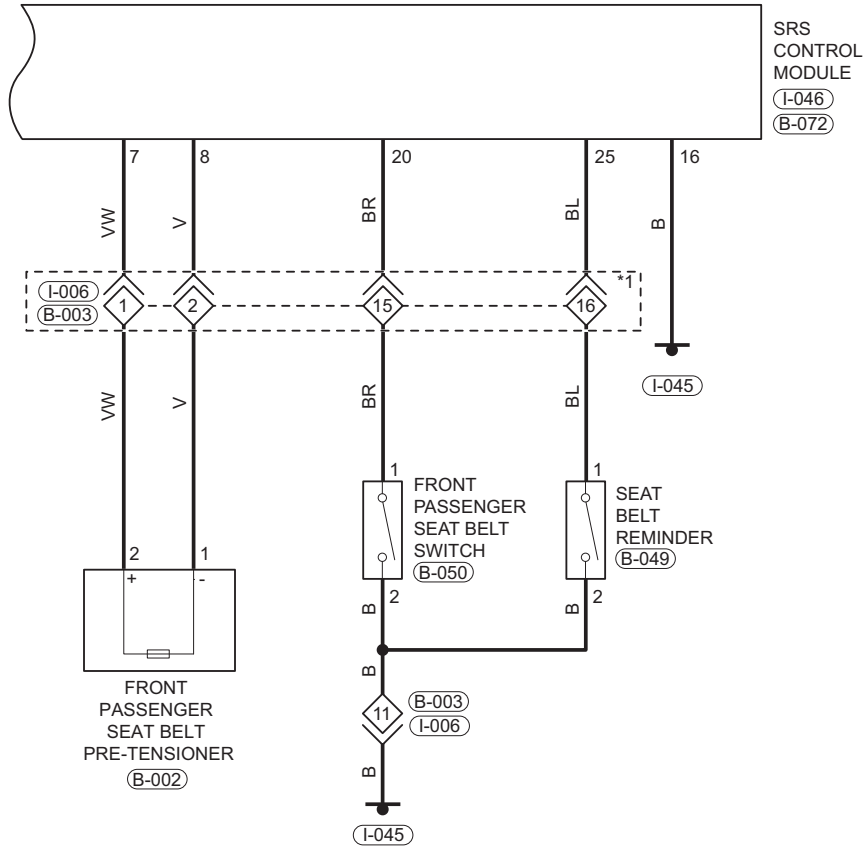
8	7	6	5	4	3	2	1
16	15	14	13	12	11	10	9

I-036 W

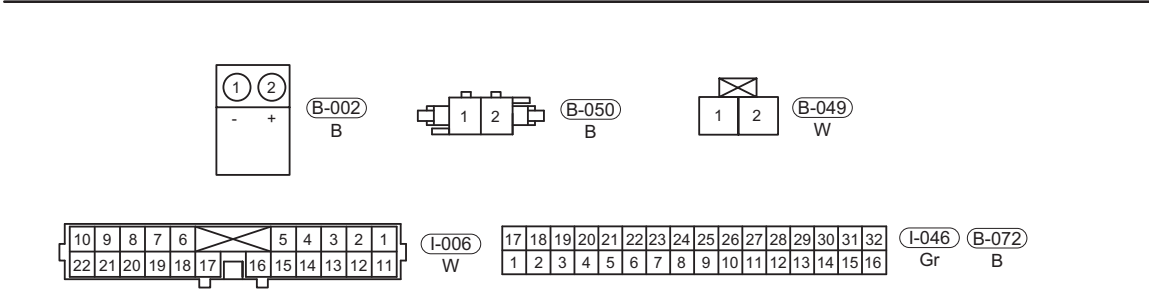
ET21320020

Supplemental Restraint System (Page 3 of 3)

\*1: SRS control module connector is I-046  
 \*2: SRS control module connector is B-072



32



ET21320030

