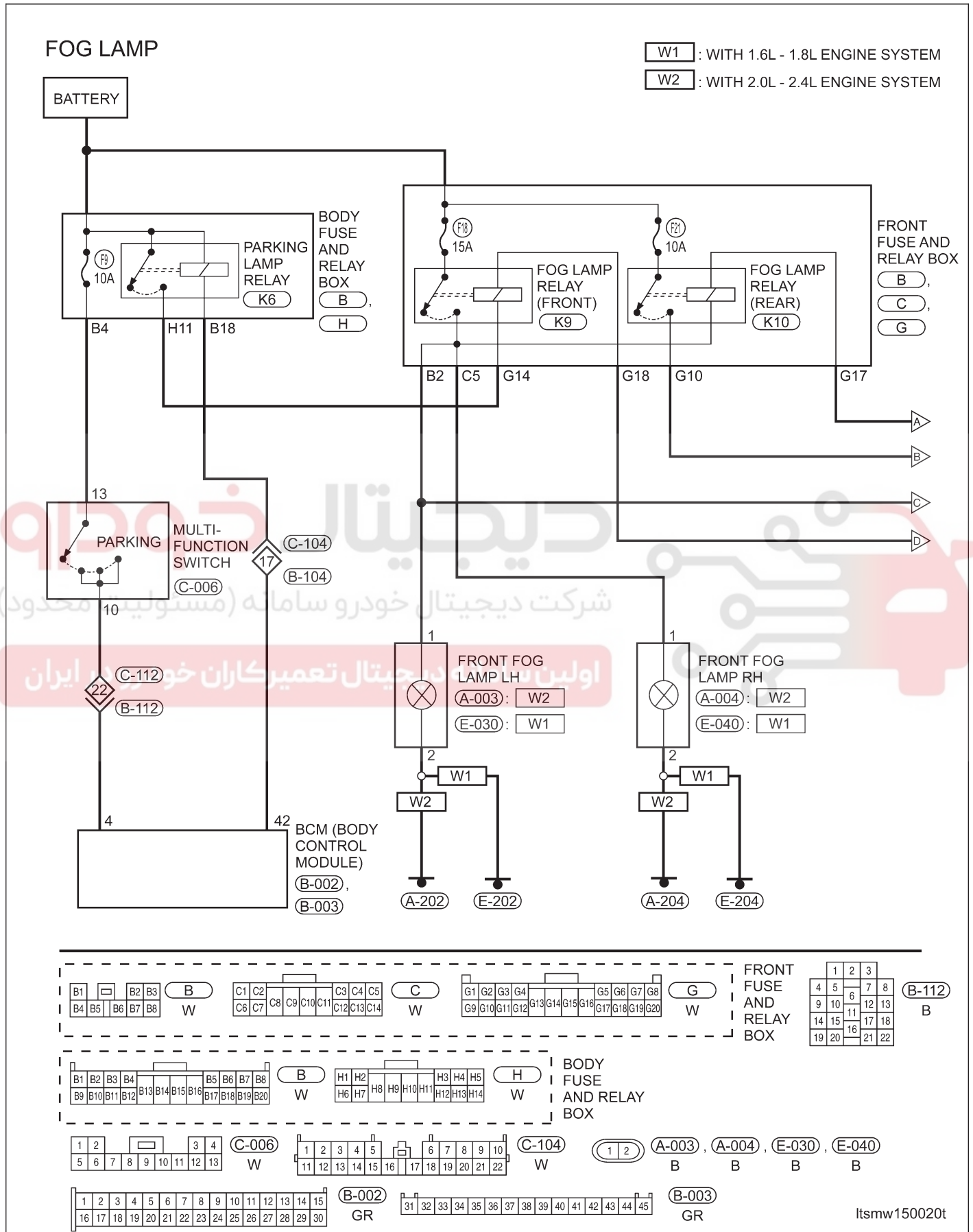


EXTERIOR LAMPS

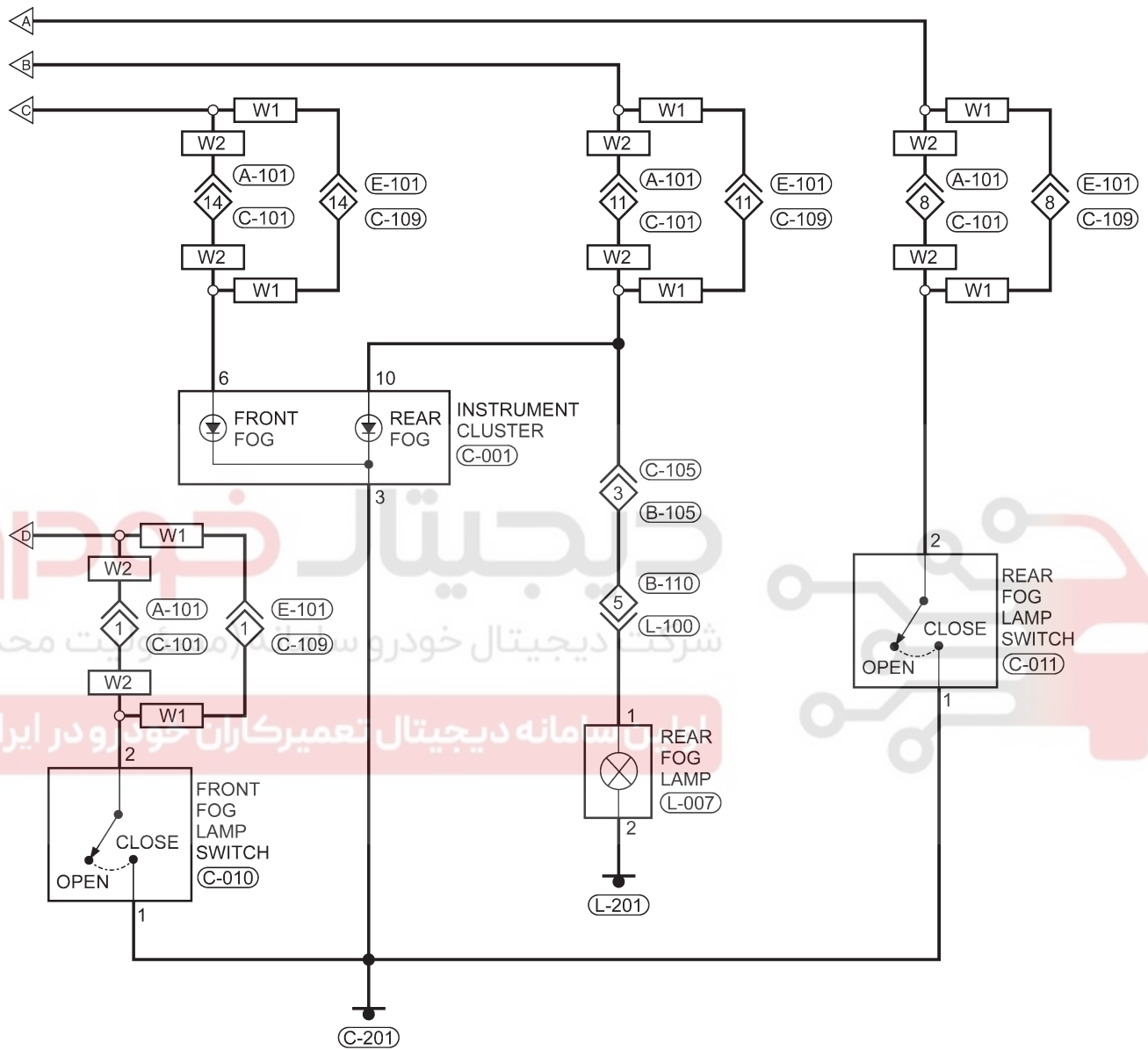
Fog Lamps (Page 1 of 2)



EXTERIOR LAMPS

Fog Lamps (Page 2 of 2)

W1 : WITH 1.6L - 1.8L ENGINE SYSTEM
 W2 : WITH 2.0L - 2.4L ENGINE SYSTEM



17	18	19	20	21	22	23	24	25	26	27	28	29	30	31	32
1	2	3	4	5	6	7	8	9	10	11	12	13	14	15	16

C-001
L

1	2	3	4	5	6	7	8
9	10	11	12	13	14	15	16

E-101, A-101
W W

1	2	3	4	5	6	7	8	9	10
11	12	13	14	15	16	17	18	19	20
21	22								

C-105
W

6	5	4	3	2	1
14	13	12	11	10	9
8	7				

L-100
W

1	2
---	---

L-007
W

1	2		
3	4	5	6

C-010, C-011
W Y