

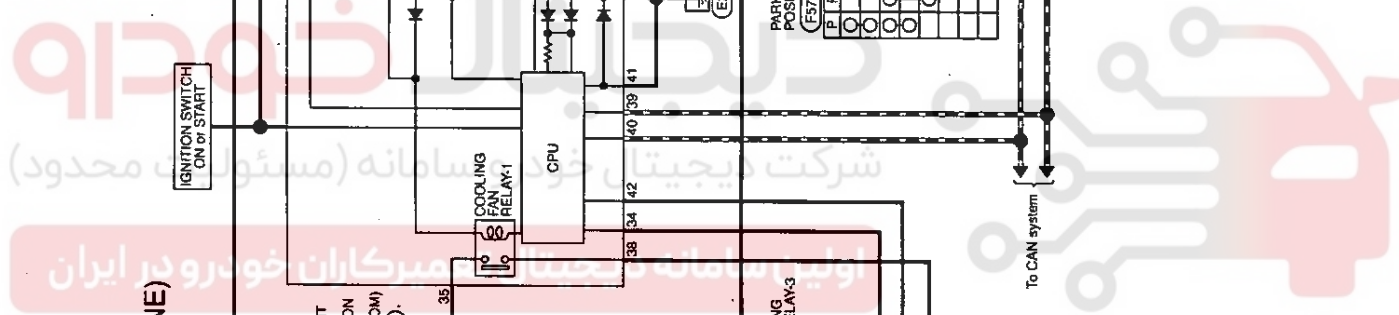
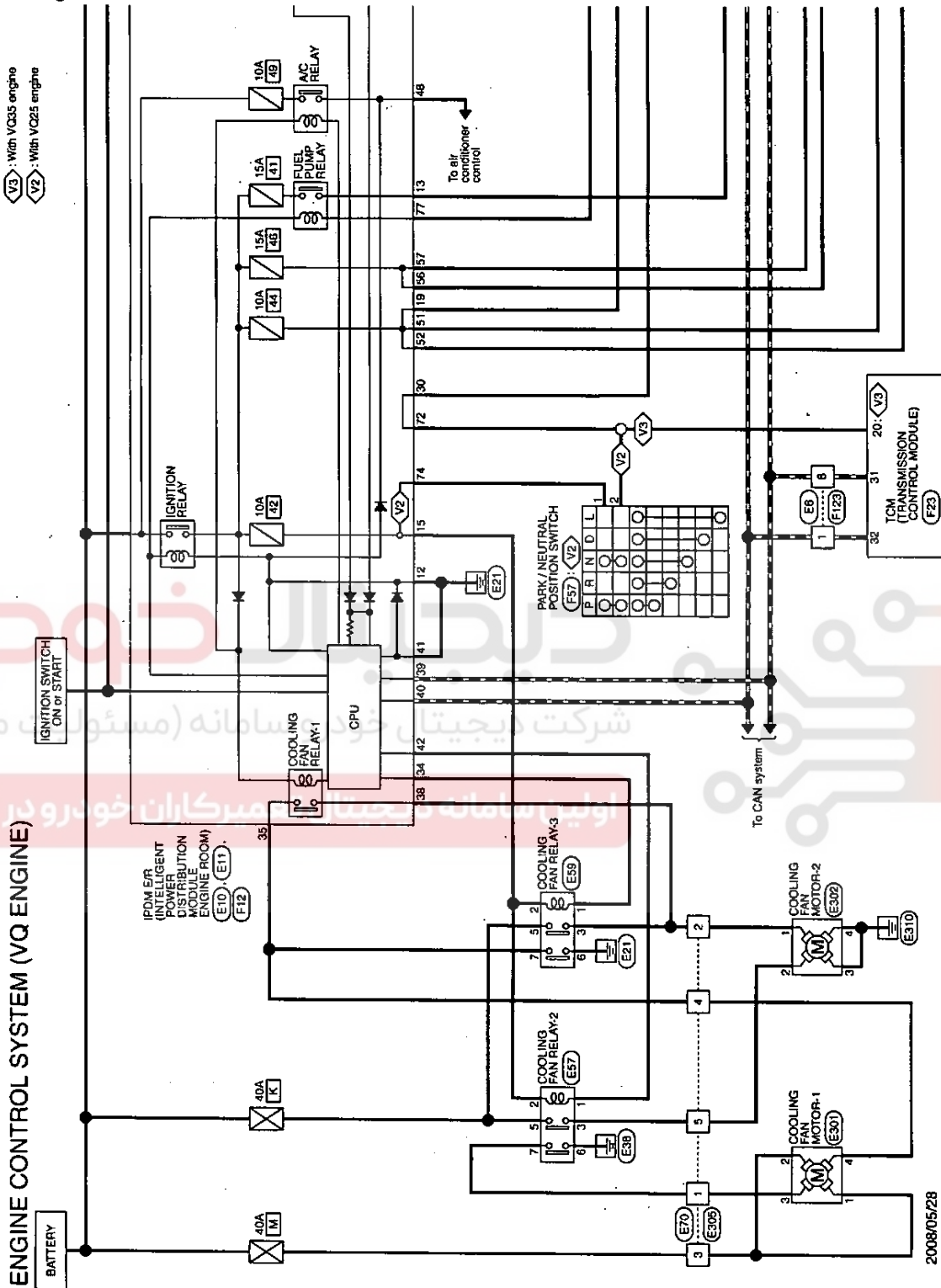
ECM

< ECU DIAGNOSIS >

[VQ25DE]

Wiring Diagram—ENGINE CONTROL SYSTEM—

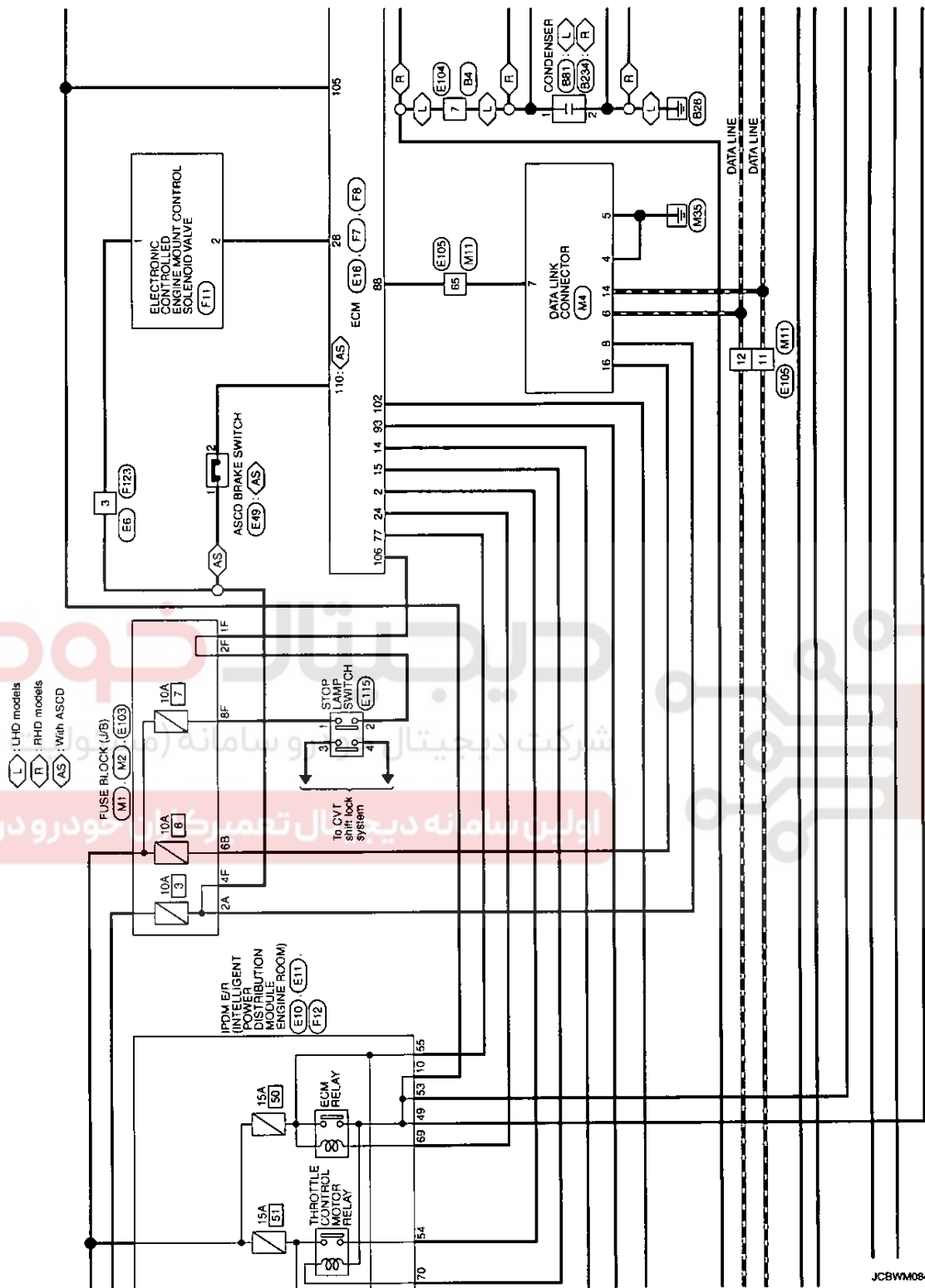
INFOID:0000000004547828



ECM

< ECU DIAGNOSIS >

[VQ25DE]



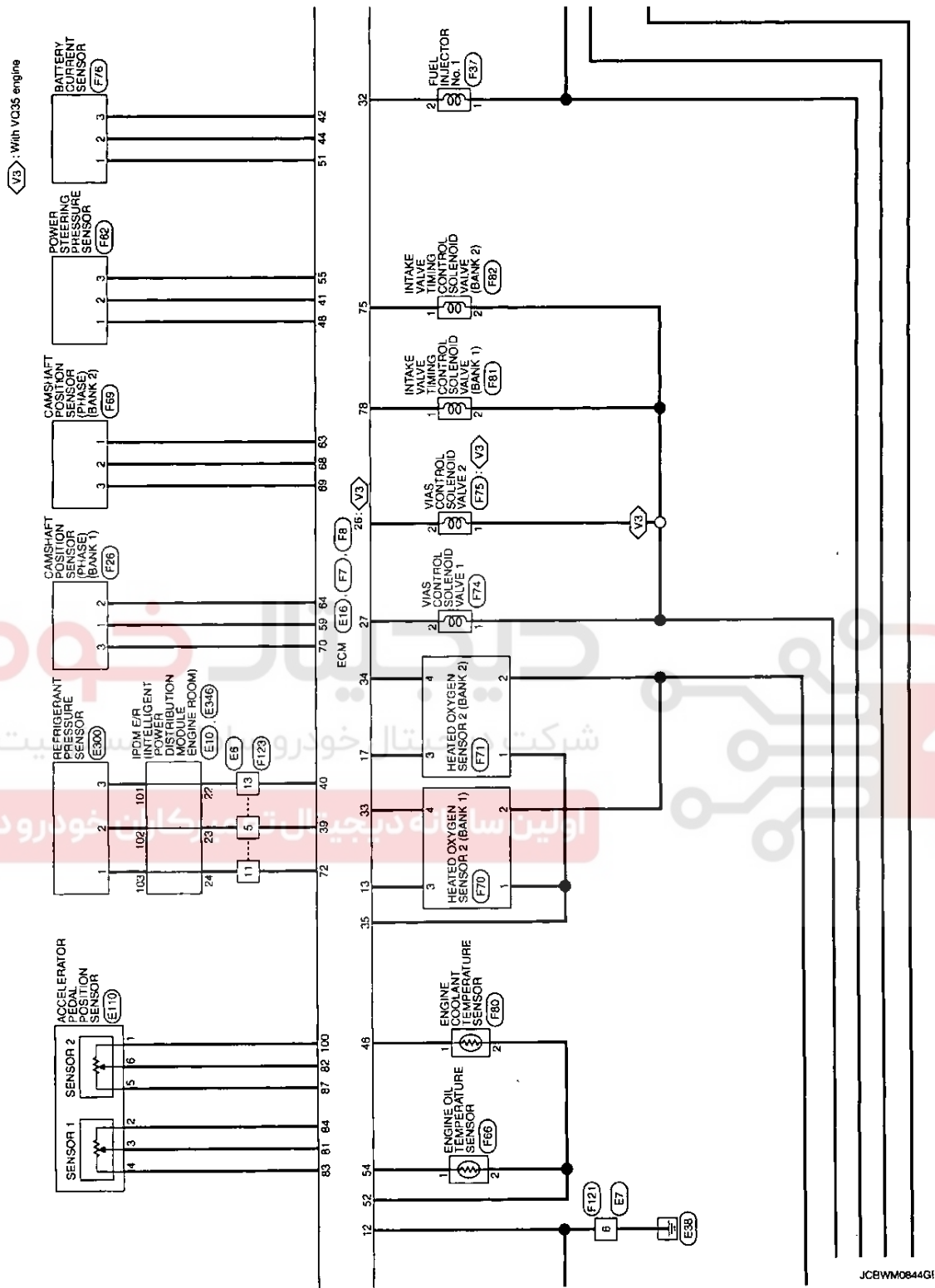
A
EC
 C
 D
 E
 F
 G
 H
 I
 J
 K
 L
 M
 N
 O
 P

JCBWM0842G1

ECM

< ECU DIAGNOSIS >

[VQ25DE]



JCBWM0844G1

A
EC
C
D
E
F
G
H
I
J
K
L
M
N
O
P

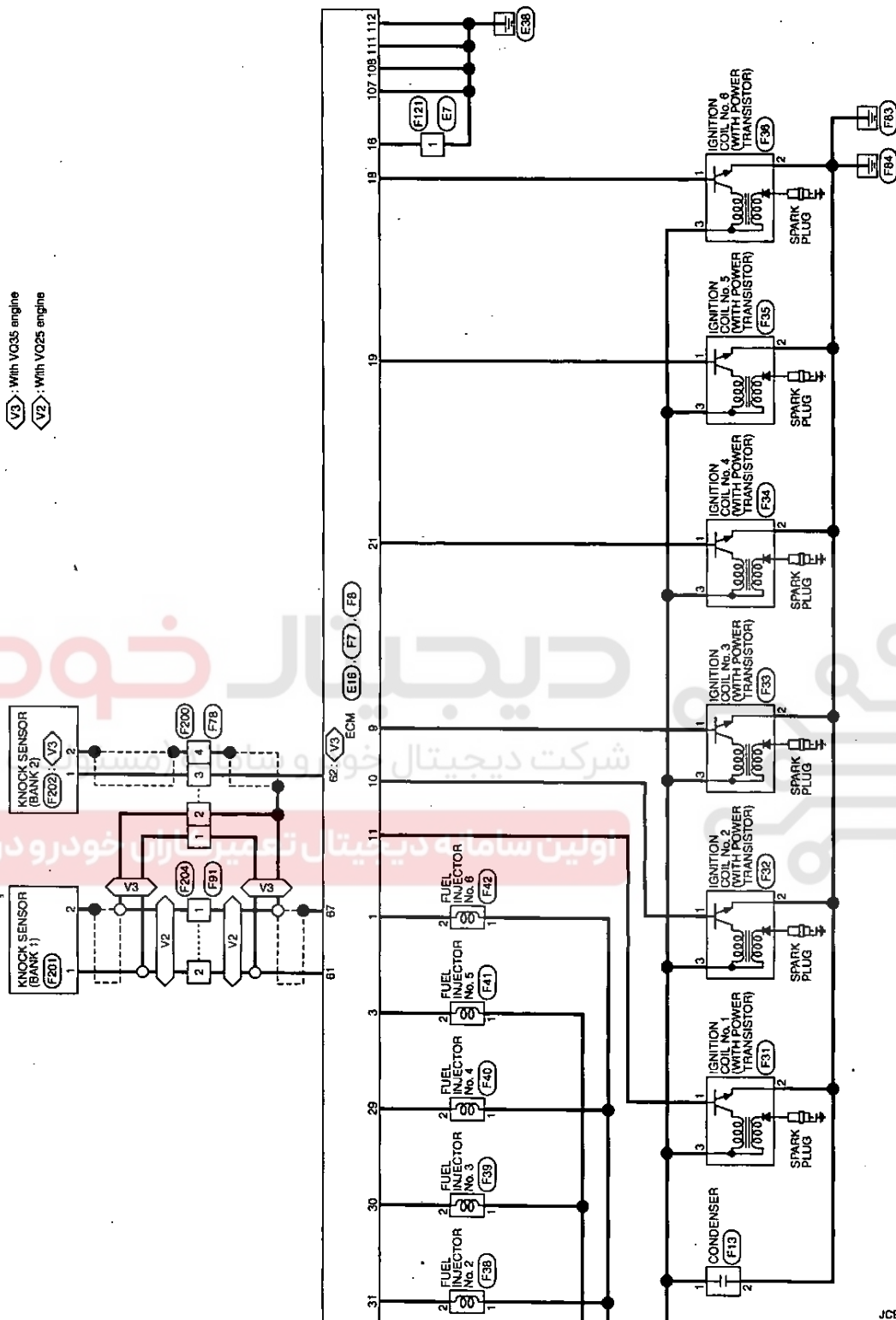
EC-337

ECM

< ECU DIAGNOSIS >

[VQ25DE]

V3 : With VQ35 engine
V2 : With VQ25 engine



JCSW1M0845G1

EC-338

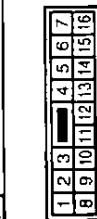
ECM

< ECU DIAGNOSIS >

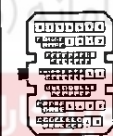
[VQ25DE]

ENGINE CONTROL SYSTEM (VQ ENGINE)

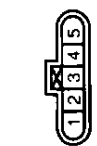
Connector No.	B84
Connector Name	WIRE TO WIRE
Connector Type	HSD16M-C5



Connector No.	B11
Connector Name	WIRE TO WIRE
Connector Type	HSD16M-C513



Connector No.	B4D
Connector Name	FUEL LEVEL SENSOR UNIT AND FUEL PUMP (LHD MODELS)
Connector Type	ESDFG-R5



Connector No.	B84
Connector Name	WIRE TO WIRE
Connector Type	HSD16M-R1



Terminal No.	7
Color of Wire	W
Signal Name [Specification]	

Terminal No.	18
Color of Wire	P
Signal Name [Specification]	
Terminal No.	19
Color of Wire	L
Signal Name [Specification]	
Terminal No.	43
Color of Wire	P
Signal Name [Specification]	
Terminal No.	44
Color of Wire	L
Signal Name [Specification]	

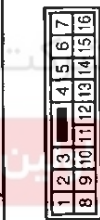
Terminal No.	1
Color of Wire	W
Signal Name [Specification]	
Terminal No.	3
Color of Wire	B
Signal Name [Specification]	

Terminal No.	13
Color of Wire	L
Signal Name [Specification]	
Terminal No.	14
Color of Wire	P
Signal Name [Specification]	
Terminal No.	15
Color of Wire	L
Signal Name [Specification]	
Terminal No.	18
Color of Wire	P
Signal Name [Specification]	

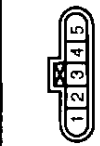
Connector No.	B81
Connector Name	CONDENSER (LHD MODELS)
Connector Type	MO2FW-LC



Connector No.	B50
Connector Name	WIRE TO WIRE
Connector Type	HSD16M-C5



Connector No.	B22
Connector Name	FUEL LEVEL SENSOR UNIT AND FUEL PUMP (RHD MODELS)
Connector Type	ESDFG-R5



Connector No.	B33A
Connector Name	CONDENSER (RHD MODELS)
Connector Type	MO2FW-LC



Terminal No.	1
Color of Wire	W
Signal Name [Specification]	
Terminal No.	2
Color of Wire	B
Signal Name [Specification]	

Terminal No.	7
Color of Wire	W
Signal Name [Specification]	

Terminal No.	1
Color of Wire	W
Signal Name [Specification]	
Terminal No.	2
Color of Wire	B
Signal Name [Specification]	

Terminal No.	1
Color of Wire	W
Signal Name [Specification]	
Terminal No.	2
Color of Wire	B
Signal Name [Specification]	

A
EC
C
D
E
F
G
H
I
J
K
L
M
N
O
P

JCBWM0846G1