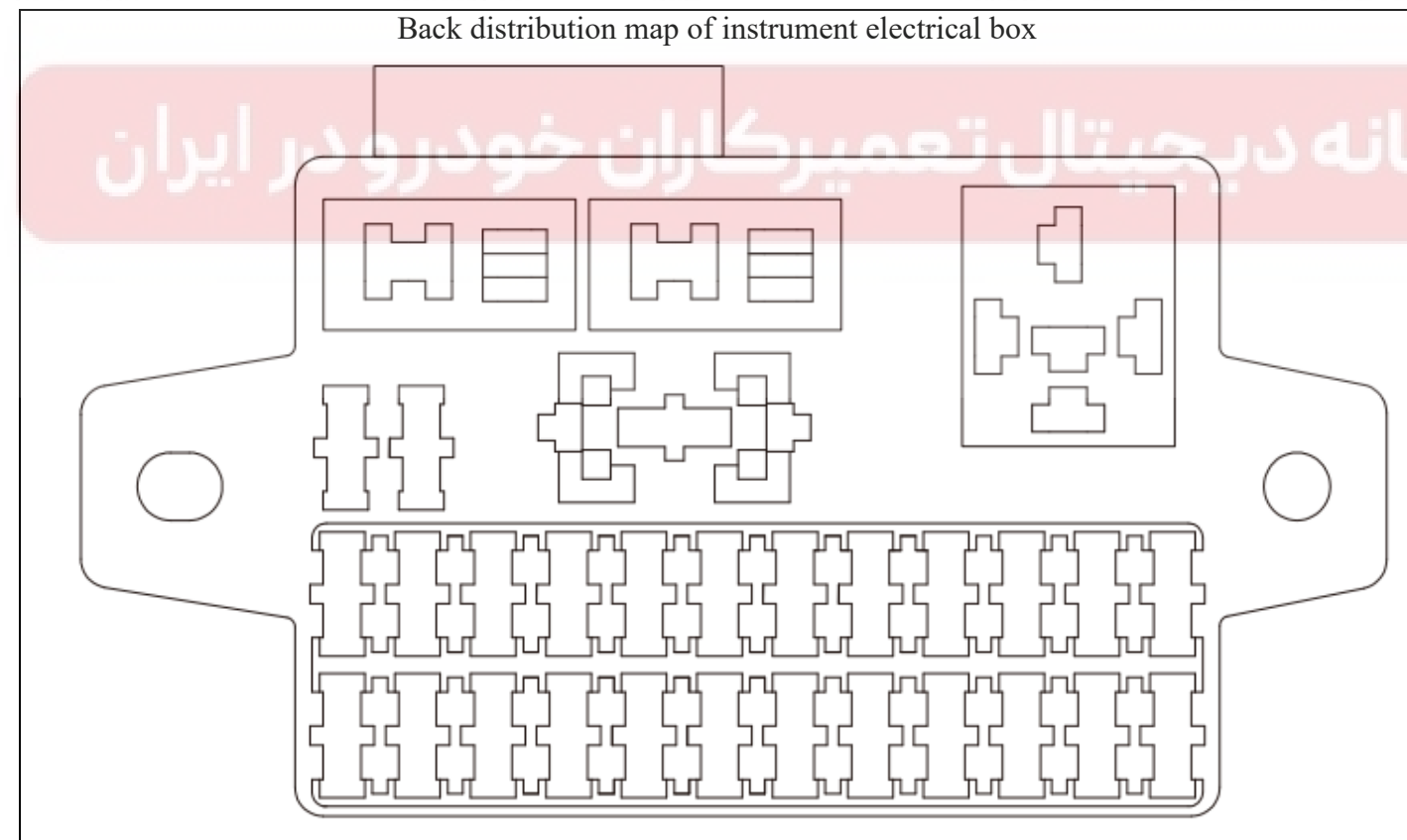
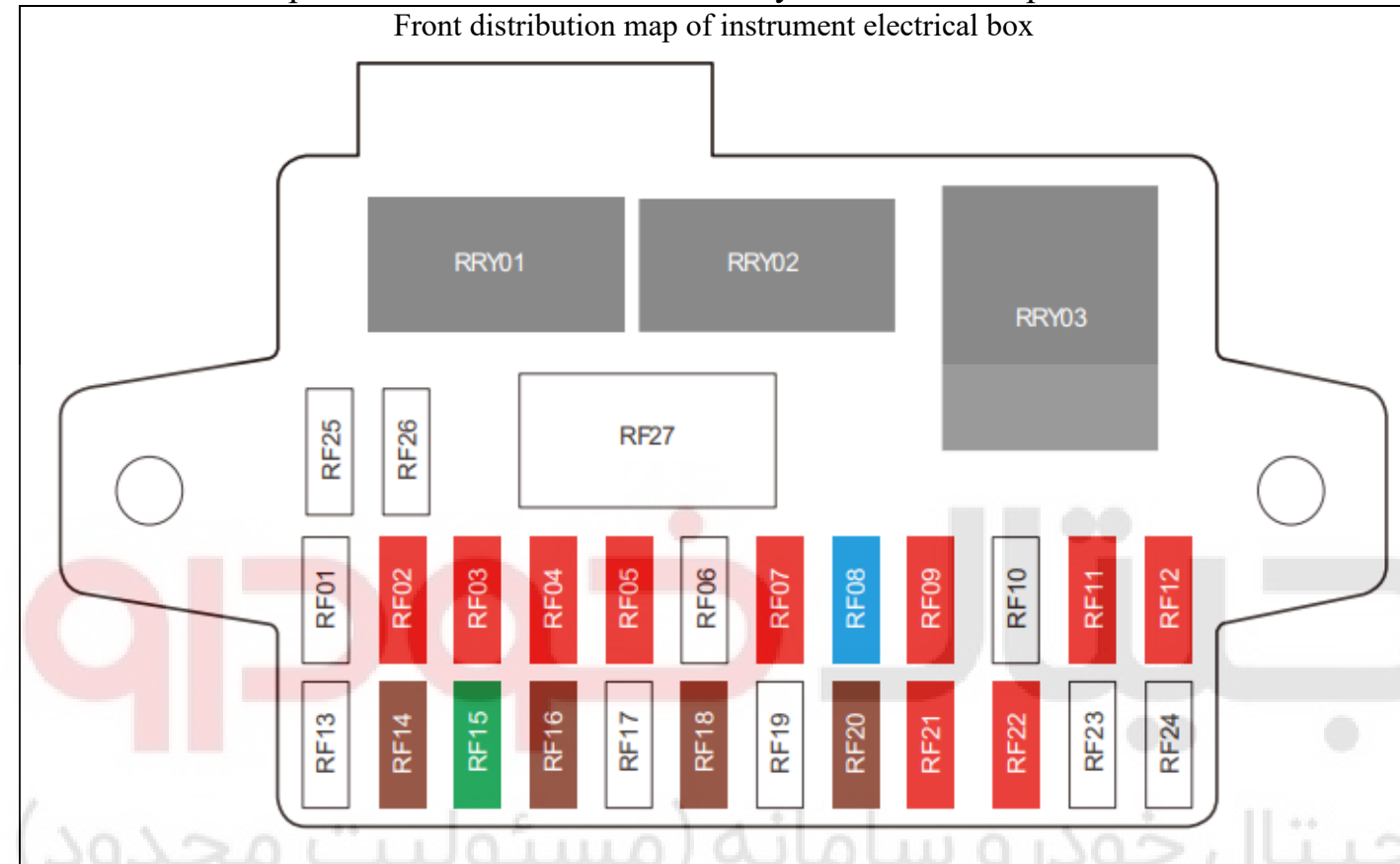


### 5.6 Instrument panel electrical box fuse and relay

#### 5.6.1 Instrument panel electrical box fuse and relay distribution map



Code	Rated current	Protective component
RF01	-	-
RF02	10A	EPB module
RF03	10A	Wireless charging module
RF04	10A	Airbag controller
RF05	10A	Electric power steering (EPS)
RF06	-	-
RF07	10A	DVD without disc, navigation without disc (car network host), body controller, USB charging module
RF08	15A	Backup power
RF09	10A	Power mirror switch
RF10	-	-
RF11	10A	Headlight height & backlight adjustment switch, reverse relay, ETC module, TBOX, A/C controller
RF12	10A	Passive entry and start controller, TCU control unit, engine ECU
RF13	-	-
RF14	7.5A	Wireless charging module, front roof light, T-BOX
RF15	30A	Rear defrost heating
RF16	7.5A	Rear defrost relay, blower relay, ambient light
RF17	-	-
RF18	7.5A	External mirror heating (left and right)
RF19	-	-
RF20	7.5A	A/C controller
RF21	10A	Combination instrument , ETC module
RF22	10A	DVD without disc, navigation without disc (car network host), diagnostic interface
RF23	-	-
RF24	-	-
RF25	-	-
RF26	-	-
RF27	-	-
RRY01	-	Reversing light relay
RRY02	-	Rear defrost relay
RRY03	-	Blower relay

### 5.7 Instrument panel power circuit

