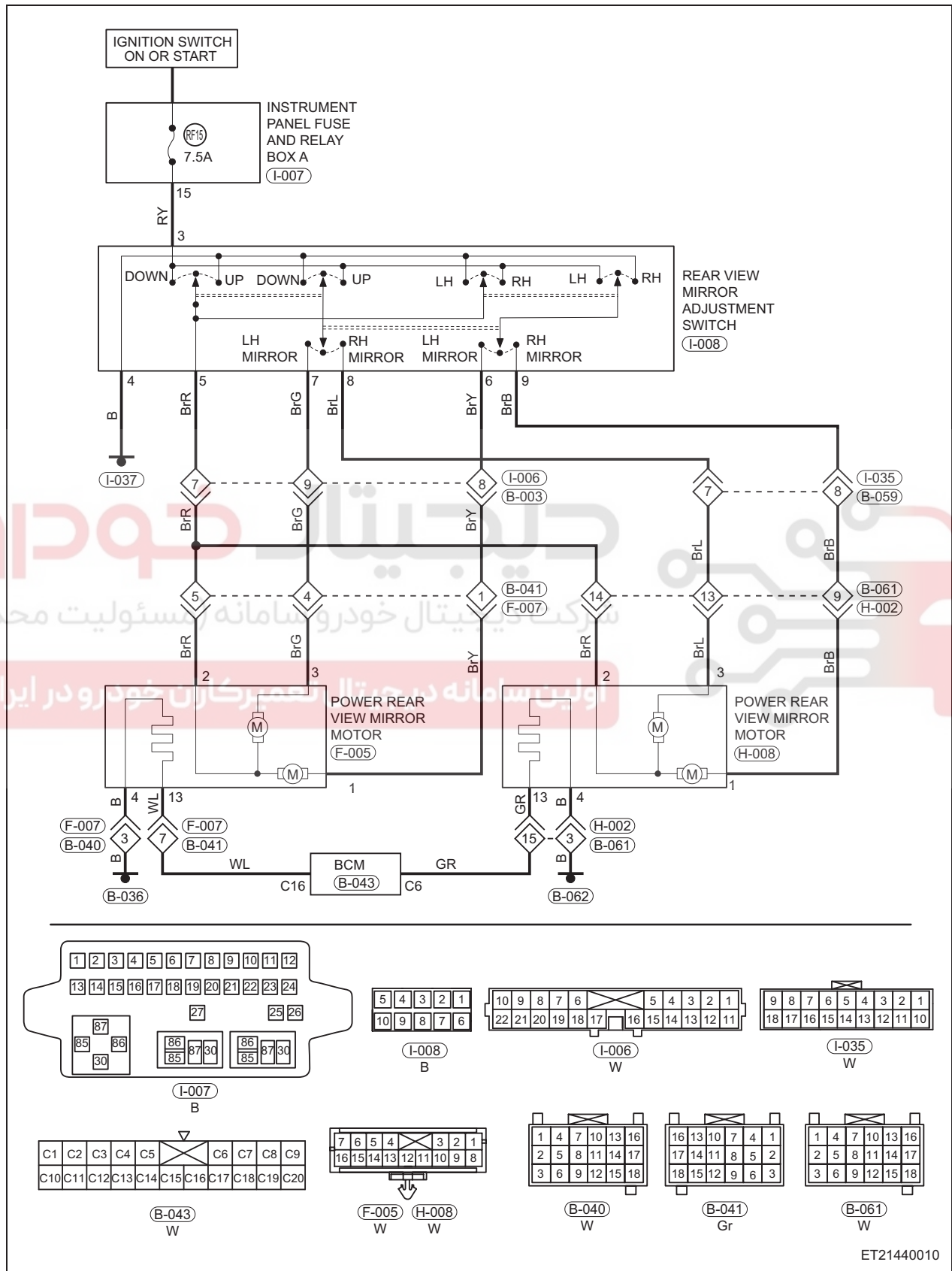


Circuit Diagram

Power Rear View Mirror Control System



ET21440010