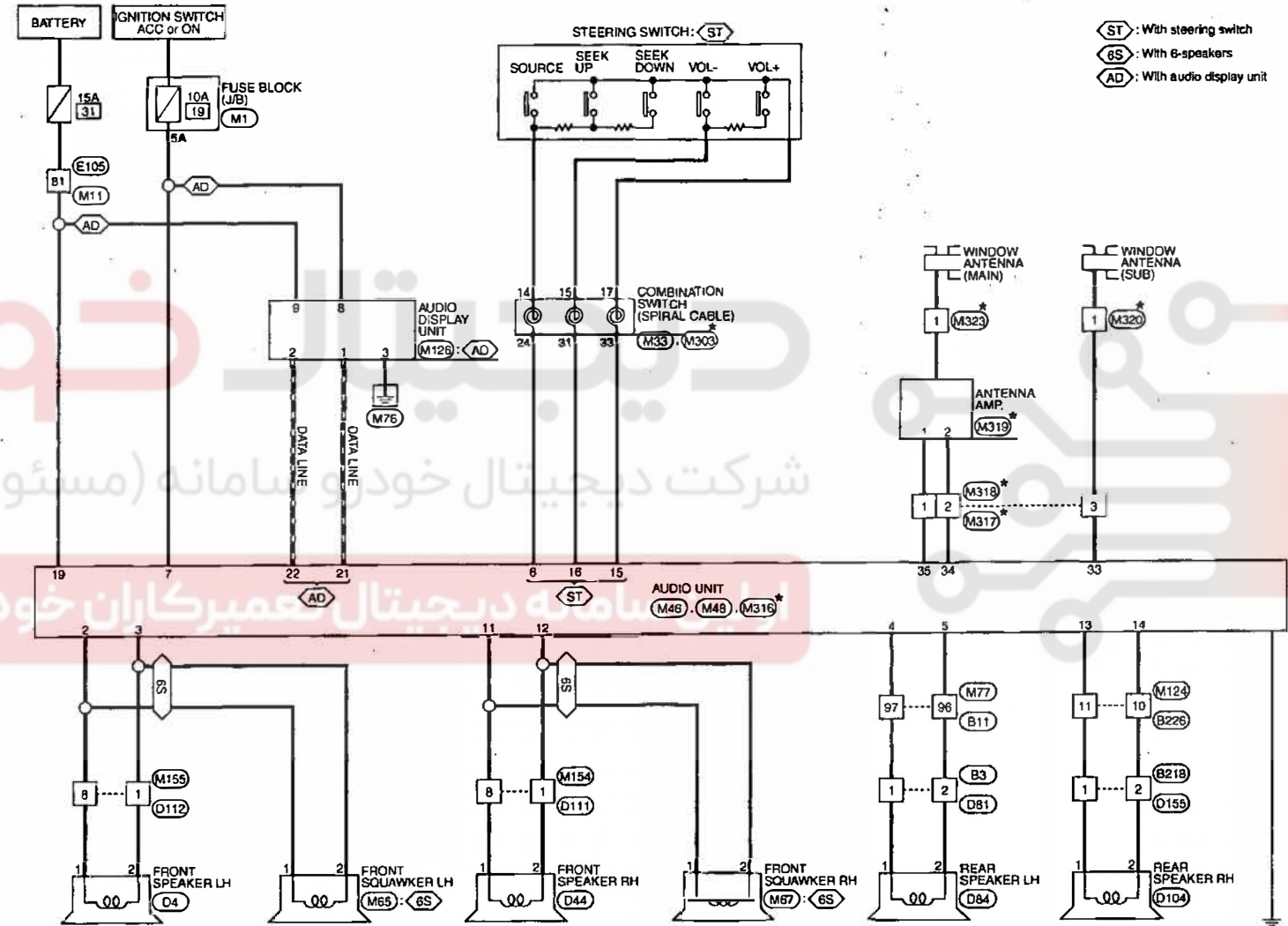


BASE AUDIO (LHD MODELS)



- ST : With steering switch
- 6S : With 6-speakers
- AD : With audio display unit

*: This connector is not shown in 'Harness Layout'.

JCANWH14093G1

2008/05/28

INFC010000000004553018

AV-28

AUDIO UNIT

[BASE AUDIO]

< ECU DIAGNOSIS >

BASE AUDIO (LHD MODELS)

Connector No.	B3
Connector Name	WIRE TO WIRE
Connector Type	NSIDMWN-CS

Terminal No.	Color of Wire	Signal Name (Specification)
1	W	-[LHD models without BOSE system]
2	B	-[LHD models without BOSE system]

Connector No.	B4
Connector Name	FRONT SPEAKER LH (LHD MODELS WITHOUT BOSE AUDIO)
Connector Type	NSIDZFN-CS

Terminal No.	Color of Wire	Signal Name (Specification)
1	W	-
2	B	-

Connector No.	B11
Connector Name	WIRE TO WIRE
Connector Type	TH80MWN-CS18

Terminal No.	Color of Wire	Signal Name (Specification)
B4	B	-[Without BOSE system]
B7	W	-[Without BOSE system]

Connector No.	B21B
Connector Name	WIRE TO WIRE
Connector Type	NSIDMWN-CS

Terminal No.	Color of Wire	Signal Name (Specification)
1	L	-[LHD models]
2	O	-[LHD models]

Connector No.	B22B
Connector Name	WIRE TO WIRE
Connector Type	NSIDMWN-CS

Terminal No.	Color of Wire	Signal Name (Specification)
10	O	-[Without BOSE system]
11	L	-[Without BOSE system]

Connector No.	D4
Connector Name	FRONT SPEAKER LH (LHD MODELS WITHOUT BOSE AUDIO)
Connector Type	NSIDZFN-CS

Terminal No.	Color of Wire	Signal Name (Specification)
1	W	-
2	B	-

Connector No.	D81
Connector Name	WIRE TO WIRE
Connector Type	NSIDB9N-CS

Terminal No.	Color of Wire	Signal Name (Specification)
1	W	-
2	B	-

Connector No.	D84
Connector Name	REAR SPEAKER LH (LHD MODELS WITHOUT BOSE AUDIO)
Connector Type	NSIDZFN-CS

Terminal No.	Color of Wire	Signal Name (Specification)
1	W	-
2	B	-

A
B
C
D
E
F
G
H
I
J
K
L
M
AV
O
P

JCNWM1410G1

AUDIO UNIT

< ECU DIAGNOSIS >

[BASE AUDIO]

BASE AUDIO (LHD MODELS)

Connector No.	D104
Connector Name	REAR SPEAKER RH (LHD MODELS WITHOUT BOSE AUDIO)
Connector Type	NS102FW-C3



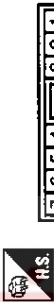
Terminal No.	Color of Wire	Signal Name [Specification]
1	W	-
2	P	-

Connector No.	D111
Connector Name	WIRE TO WIRE
Connector Type	NS18FW-C3



Terminal No.	Color of Wire	Signal Name [Specification]
1	B	- (Without BOSE system)
8	W	- (Without BOSE system)

Connector No.	D112
Connector Name	WIRE TO WIRE
Connector Type	NS18FW-C3



Terminal No.	Color of Wire	Signal Name [Specification]
1	B	-
8	W	-

Connector No.	D133
Connector Name	WIRE TO WIRE
Connector Type	NS104FW-C3



Terminal No.	Color of Wire	Signal Name [Specification]
1	W	-
2	P	- (Without BOSE system)

Connector No.	E103
Connector Name	WIRE TO WIRE
Connector Type	TR10MW-C3(D-M3)



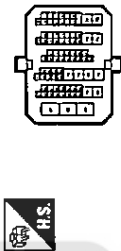
Terminal No.	Color of Wire	Signal Name [Specification]
8	Y	-

Connector No.	M1
Connector Name	FUSE BLOCK (J/B)
Connector Type	NS08FW-M2



Terminal No.	Color of Wire	Signal Name [Specification]
5A	V/R	-

Connector No.	M11
Connector Name	WIRE TO WIRE
Connector Type	TR10FW-C3(D-M3)

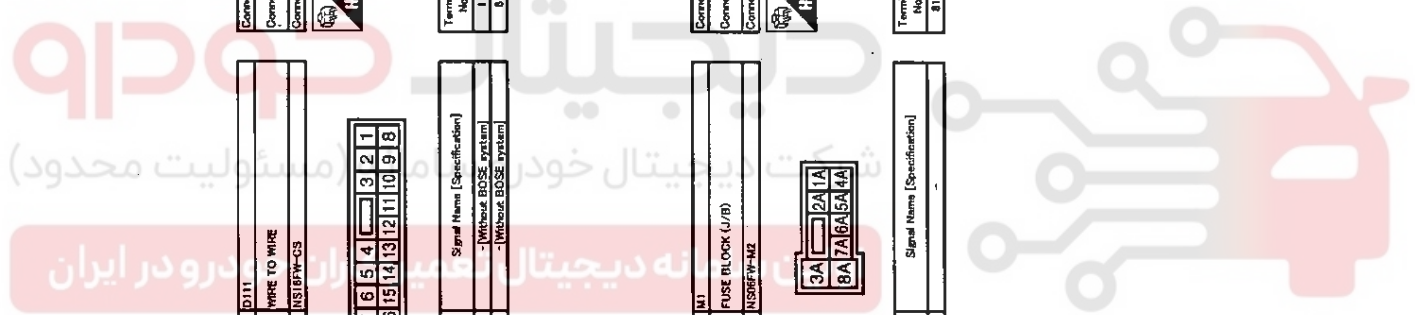


Terminal No.	Color of Wire	Signal Name [Specification]
81	Y	-

Connector No.	M33
Connector Name	COMBINATION SWITCH (SPIRAL CABLE)
Connector Type	TR08FCY-1V



Terminal No.	Color of Wire	Signal Name [Specification]
24	W/G	-
31	GR/L	-
33	L/B	-



JCNWM1411GI

AUDIO UNIT

< ECU DIAGNOSIS >

[BASE AUDIO]

BASE AUDIO (LHD MODELS)

Connector No.	M43
Connector Name	FRONT SQUAWKER RH (LHD MODELS)
Connector Type	T1K02/BR

Terminal No.	Color of Wire	Signal Name (Specification)
1	W	SOUND SIGNAL FRONT LH (-)
2	B	SOUND SIGNAL FRONT RH (-)
3	B	SOUND SIGNAL REAR LH (-)
4	D/B	SOUND SIGNAL REAR RH (-)
5	W/R	SOUND SIGNAL REAR LH (-)
6	W/G	STRG SW A
7	V/W	ACC
11	B/W	SOUND SIGNAL FRONT RH (+)
12	BR	SOUND SIGNAL FRONT RH (+)
13	L	SOUND SIGNAL REAR RH (+)
14	B/W	SOUND SIGNAL REAR RH (+)
15	L/B	STRG SW GND

Connector No.	M44
Connector Name	AUDIO UNIT
Connector Type	T1H12F/W/BR

Terminal No.	Color of Wire	Signal Name (Specification)
21	R	AV COMM (L)
22	L	AV COMM (R)

Connector No.	M45
Connector Name	FRONT SQUAWKER LH (LHD MODELS)
Connector Type	T1K02/BR

Terminal No.	Color of Wire	Signal Name (Specification)
1	W	-
2	B	-

Connector No.	M46
Connector Name	AUDIO UNIT
Connector Type	T1H12F/W/BR

Terminal No.	Color of Wire	Signal Name (Specification)
21	R	AV COMM (L)
22	L	AV COMM (R)

Connector No.	M47
Connector Name	WIRE TO WIRE
Connector Type	T1H82P/CS19

Terminal No.	Color of Wire	Signal Name (Specification)
16	GR/L	STRG SW B
19	Y	BAT

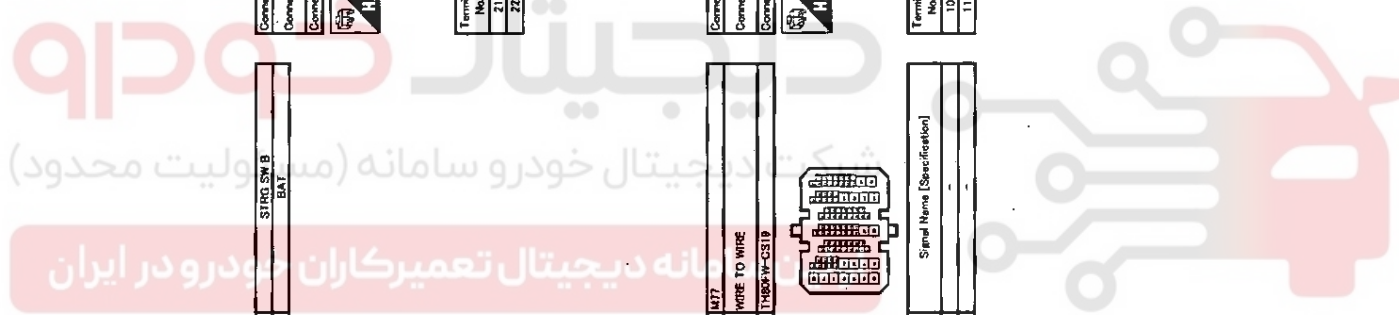
Connector No.	M48
Connector Name	WIRE TO WIRE
Connector Type	INST12P/CS

Terminal No.	Color of Wire	Signal Name (Specification)
10	B/W	- (Without BOSE system)
11	L	- (Without BOSE system)

Connector No.	M49
Connector Name	WIRE TO WIRE
Connector Type	INST12P/CS

Terminal No.	Color of Wire	Signal Name (Specification)
7	R	AV COMM (L)
8	L	AV COMM (R)
9	B/W	GND
10	V/Y	ACC
11	Y	BAT

A
B
C
D
E
F
G
H
I
J
K
L
M
AV
O
P



AUDIO UNIT

< ECU DIAGNOSIS >

[BASE AUDIO]

BASE AUDIO (LHD MODELS)

Connector No.	M154
Connector Name	WIRE TO WIRE
Connector Type	MS18MPP-ES

Terminal No.	Color of Wire	Signal Name (Specification)
1	BR	(LHD models without BOSE system)
8	B/W	(LHD models without BOSE system)

Connector No.	M155
Connector Name	WIRE TO WIRE
Connector Type	MS18MPP-ES

Terminal No.	Color of Wire	Signal Name (Specification)
1	B	(LHD models without BOSE system)
8	W	(LHD models without BOSE system)

Connector No.	M303
Connector Name	COMBINATION SWITCH (SPEAK CABLE)
Connector Type	TR08F-03

Terminal No.	Color of Wire	Signal Name (Specification)
14	-	-
15	-	-
17	-	-

Connector No.	M316
Connector Name	AUDIO UNIT
Connector Type	GT13SH-Z/1S-HU

Terminal No.	Color of Wire	Signal Name (Specification)
33	-	FM SUB
34	-	AMP-FM MAIN
35	-	ANTENNA AMP/ON SIG

Connector No.	M317
Connector Name	WIRE TO WIRE
Connector Type	GT13SC-2/1P-HU

Terminal No.	Color of Wire	Signal Name (Specification)
1	B	-
2	B	-
3	B	-

Connector No.	M318
Connector Name	WINDOW ANTENNA (SUB)
Connector Type	P017B-A

Terminal No.	Color of Wire	Signal Name (Specification)
1	-	-

Connector No.	M319
Connector Name	ANTENNA AMP. (WITHOUT NAVIGATION SYSTEM)
Connector Type	GT13SC-1/1S-HU

Terminal No.	Color of Wire	Signal Name (Specification)
1	-	ANTENNA AMP/ON SIG
2	-	AMP-FM MAIN

Connector No.	M320
Connector Name	WINDOW ANTENNA (SUB)
Connector Type	P017B-A

Terminal No.	Color of Wire	Signal Name (Specification)
1	-	-

JCNWM1413GI

AUDIO UNIT

< ECU DIAGNOSIS >

[BASE AUDIO]

A
B
C
D
E
F
G
H
I
J
K
L
M
AV
O
P

دیجیتال خودرو

شرکت دیجیتال خودرو سامانه (مسئولیت محدود)

اولین سامانه دیجیتال تعمیرکاران خودرو در ایران



BASE AUDIO (LHD MODELS)	
Connector No.	M323
Connector Name	MIRROR ANTENNA (MAB)
Connector Type	101EB-A

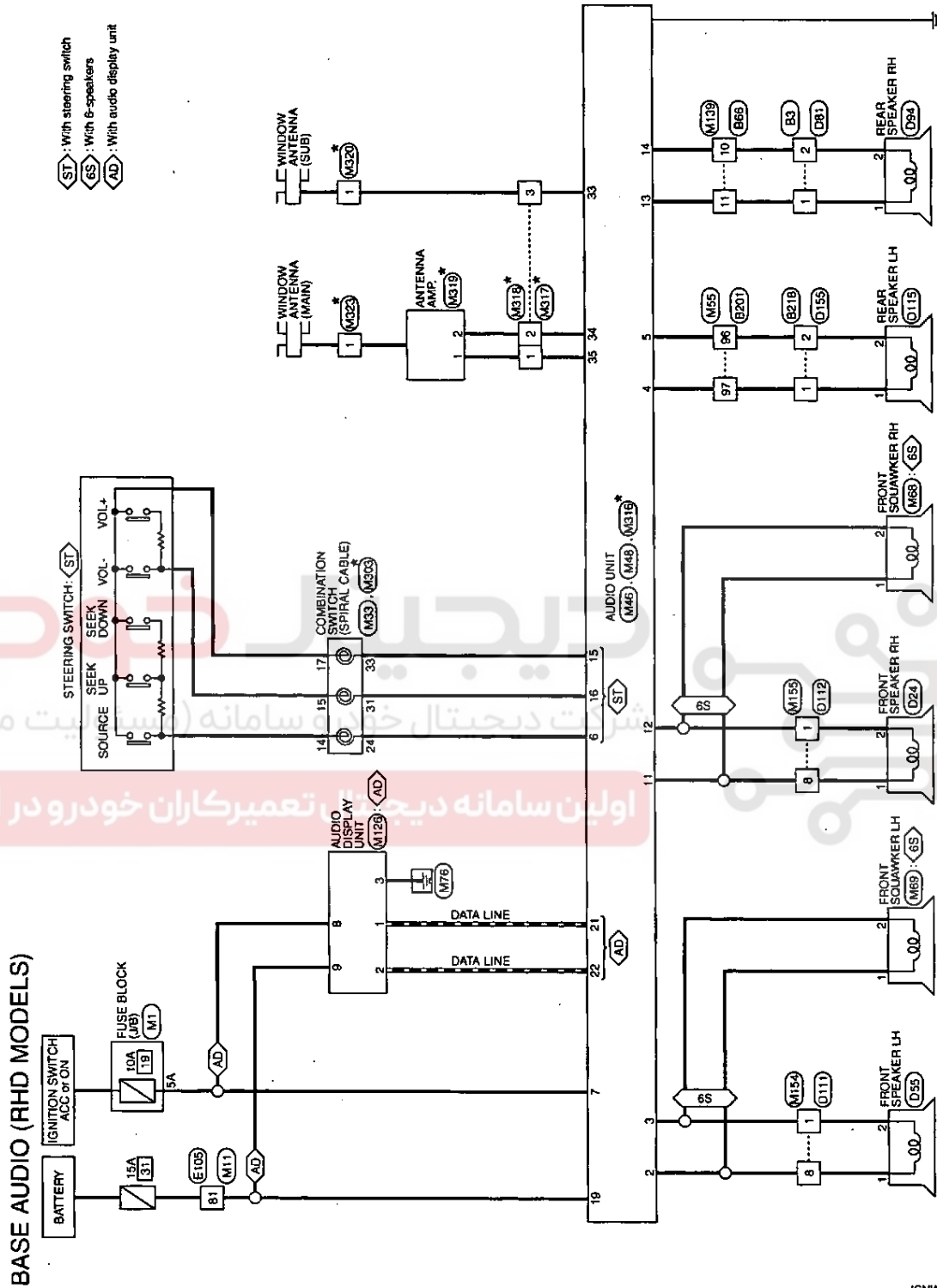
Terminal No.	Color of Wire	Signal Name (Specification)
1	-	-

JCNWM1414GI

AUDIO UNIT

< ECU DIAGNOSIS >

[BASE AUDIO]



*: This connector is not shown in "Harness Layout".

2008/05/28

JCNWM1415G1