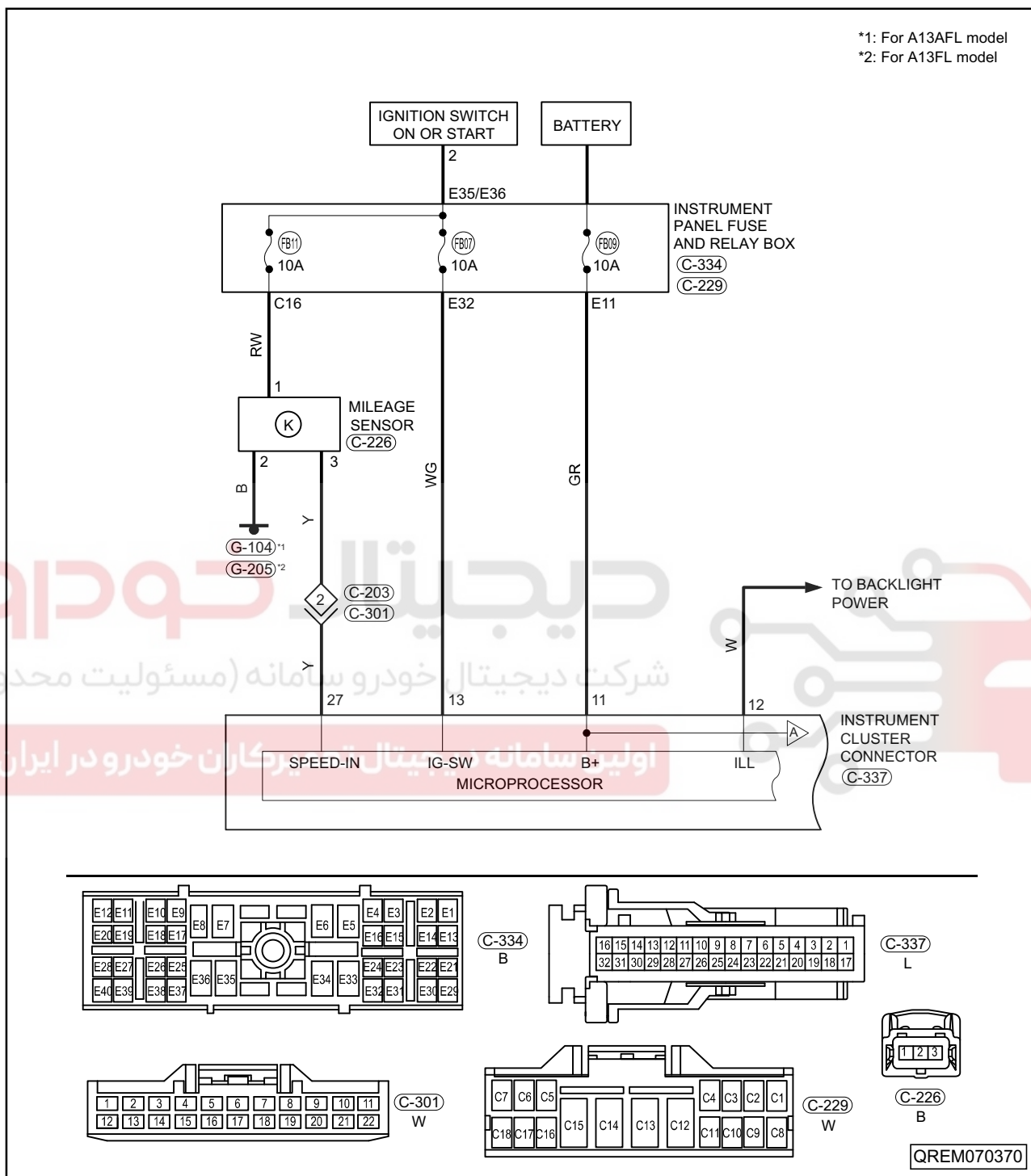
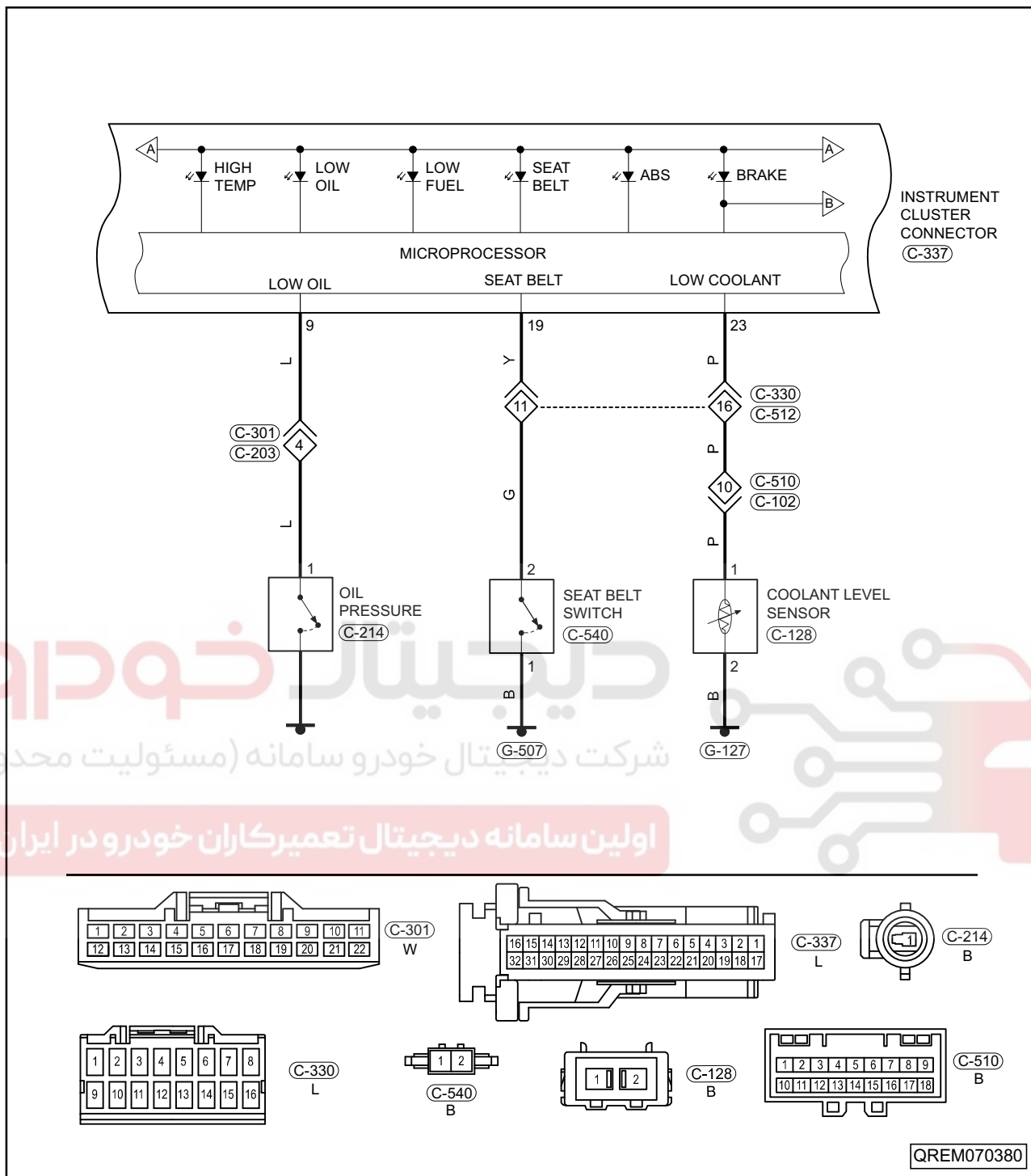


4.2 Circuit diagrams

Instrument cluster (page 1)

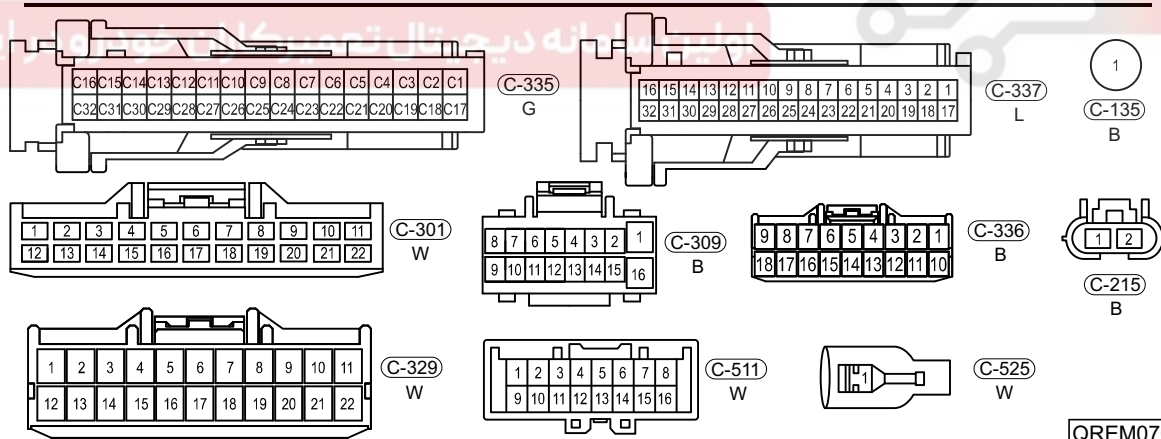
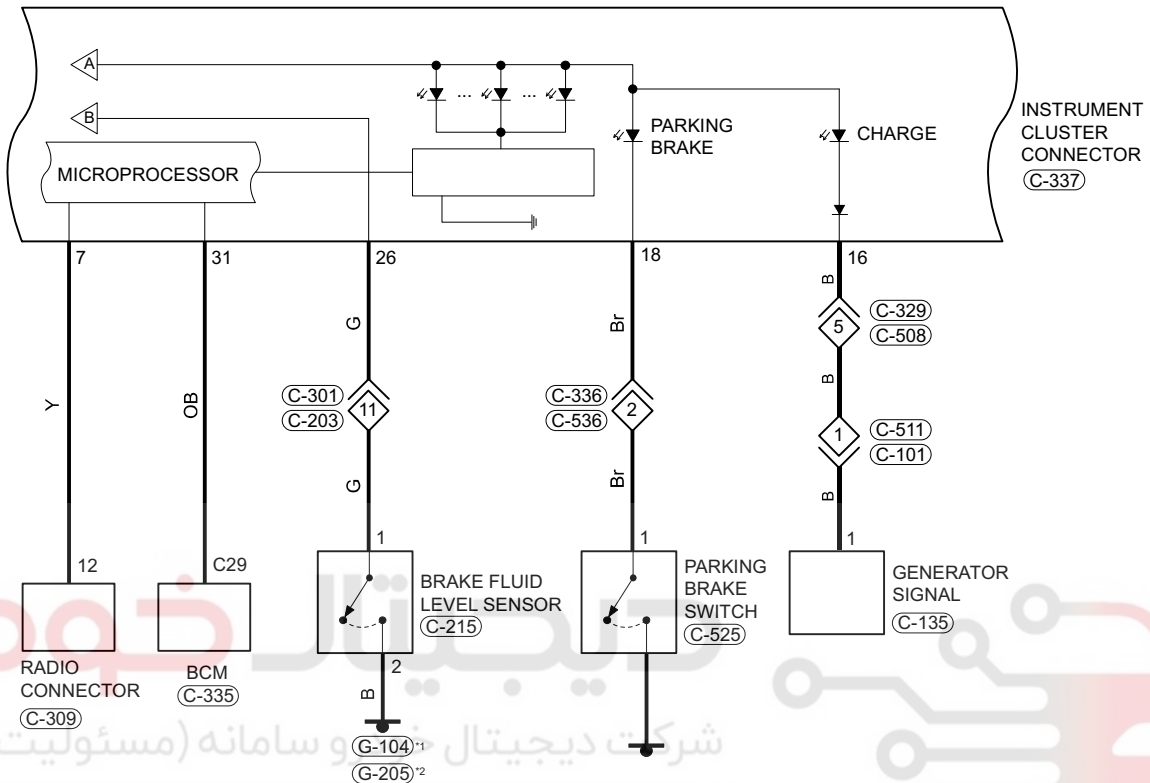


Instrument cluster (page 2)



Instrument cluster (page 3)

*1: For A13AFL model
*2: For A13FL model



QREM070390

Instrument cluster (page 4)

