

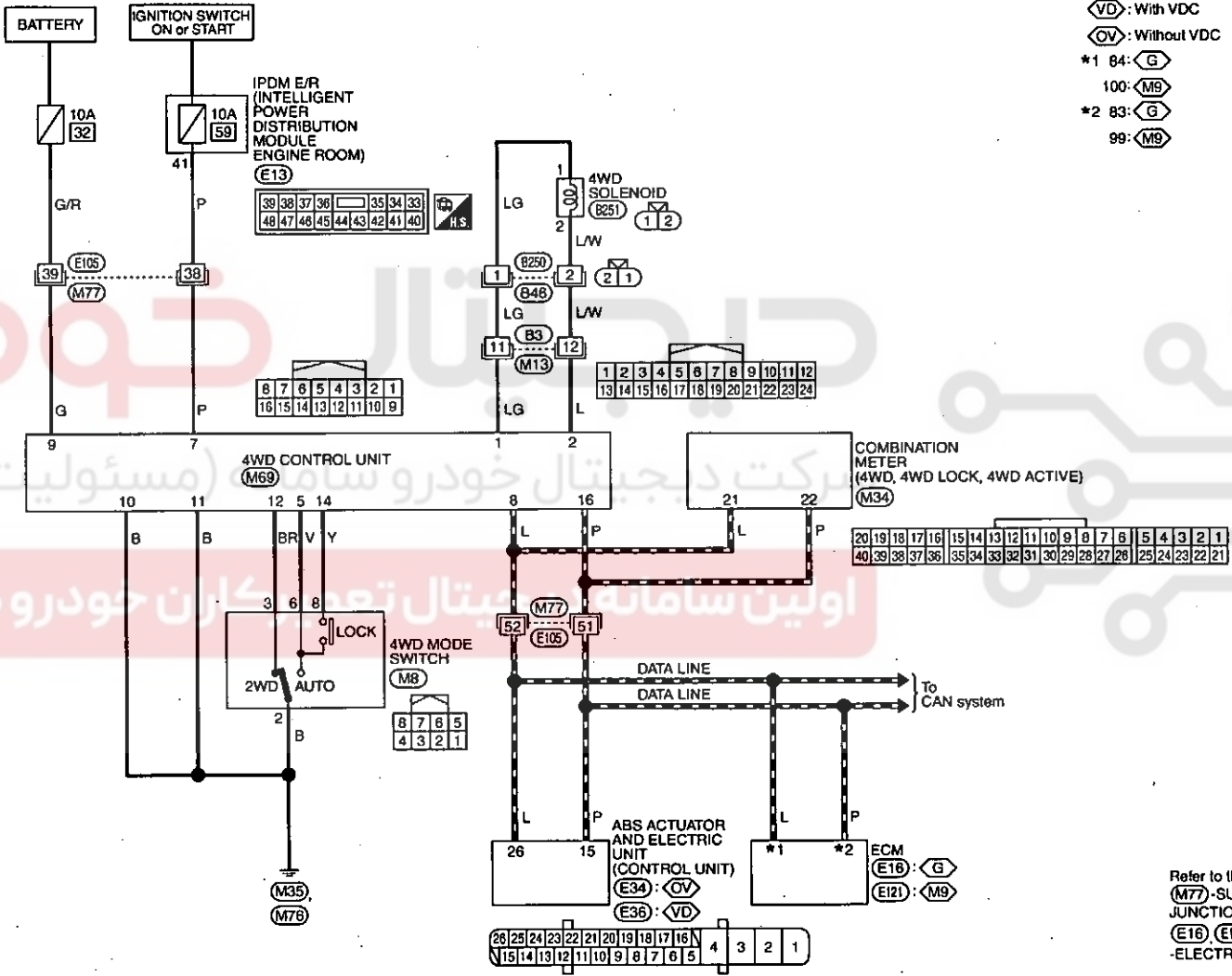
- : With gasoline engine
- : With M9R engine
- : With VDC
- : Without VDC
- *1 84:
- 100:
- *2 83:
- 99:

4WD SYSTEM

Fail Safe

4WD system

- If any malfunction occurs in 4WD electrical system, and control unit detects the malfunction, 4WD warning lamp on combination meter turns ON to indicate system malfunction.



Refer to the following.
 - SUPER MULTIPLE JUNCTION (SMJ)
 - ELECTRICAL UNITS

JMDCWA000851
 INF:DI0:000000004905404