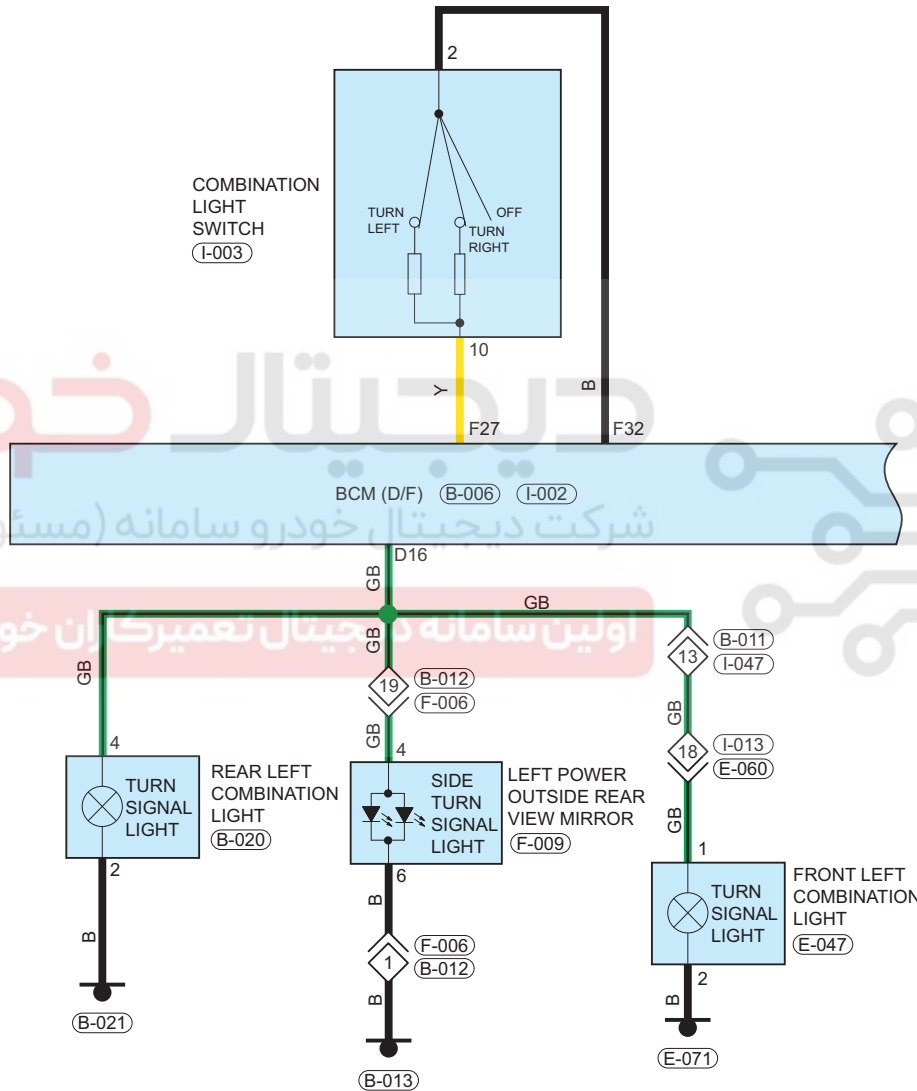


# Turn Signal Light

Circuit Diagram (Page 1 of 2)



09

ET11091803

**Parts Location**

| Connector Code | See Page | Connector Code | See Page | Connector Code | See Page |
|----------------|----------|----------------|----------|----------------|----------|
| I-003          | 08-9     | B-006          | 08-13    | I-002          | 08-9     |
| B-020          | 08-13    | F-009          | 08-18    | E-047          | 08-3     |
| B-021          | 08-13    | B-013          | 08-13    | E-071          | 08-3     |

**Location of Junction Connector**

| Connector Code | See Page     | Connector Code | See Page    | Connector Code | See Page   |
|----------------|--------------|----------------|-------------|----------------|------------|
| B-012, F-006   | 08-13, 08-18 | B-011, I-047   | 08-13, 08-9 | I-013, E-060   | 08-9, 08-3 |

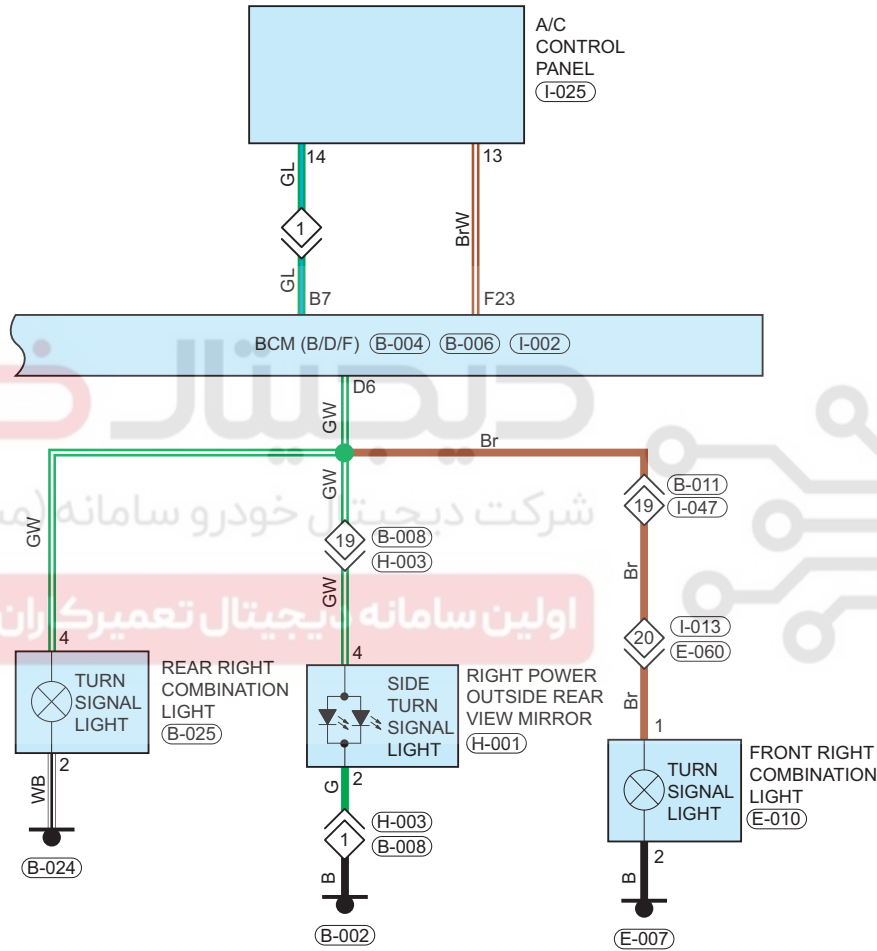
**Form of Connector**

| Connector Code | See Page     | Connector Code | See Page    | Connector Code | See Page   |
|----------------|--------------|----------------|-------------|----------------|------------|
| I-003          | 12-7         | B-006          | 12-10       | I-002          | 12-7       |
| B-020          | 12-10        | F-009          | 12-12       | E-047          | 12-2       |
| B-021          | 12-10        | B-013          | 12-10       | E-071          | 12-2       |
| B-012, F-006   | 12-10, 12-12 | B-011, I-047   | 12-10, 12-7 | I-013, E-060   | 12-7, 12-2 |

شرکت دیجیتال خودرو سامانه (مسئولیت محدود)

اولین سامانه دیجیتال تعمیرکاران خودرو در ایران

Circuit Diagram (Page 2 of 2)



09

ET11091804