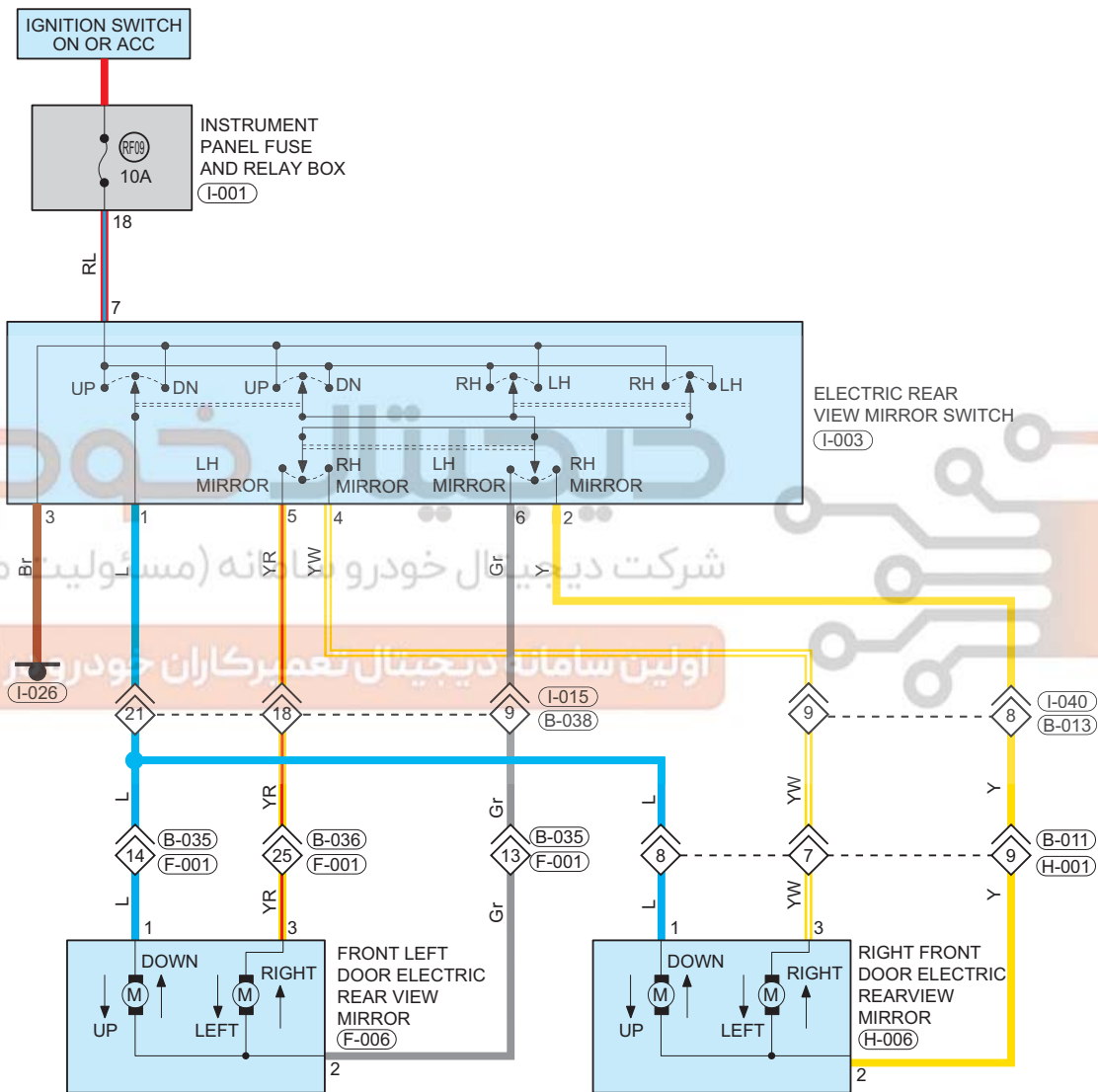


Rear View Mirror

Circuit Diagram (Page 1 of 2)



09 - SYSTEM CIRCUITS

Parts Location

Connector Code	See Page	Connector Code	See Page	Connector Code	See Page
I-001	08-8	I-003	08-8	I-026	08-8
F-006	08-27	H-006	08-28		

Fuse and Relay

Fuse/Relay	See Page	Fuse and Relay Box
RF09	06-9	Instrument Panel Fuse And Relay Box

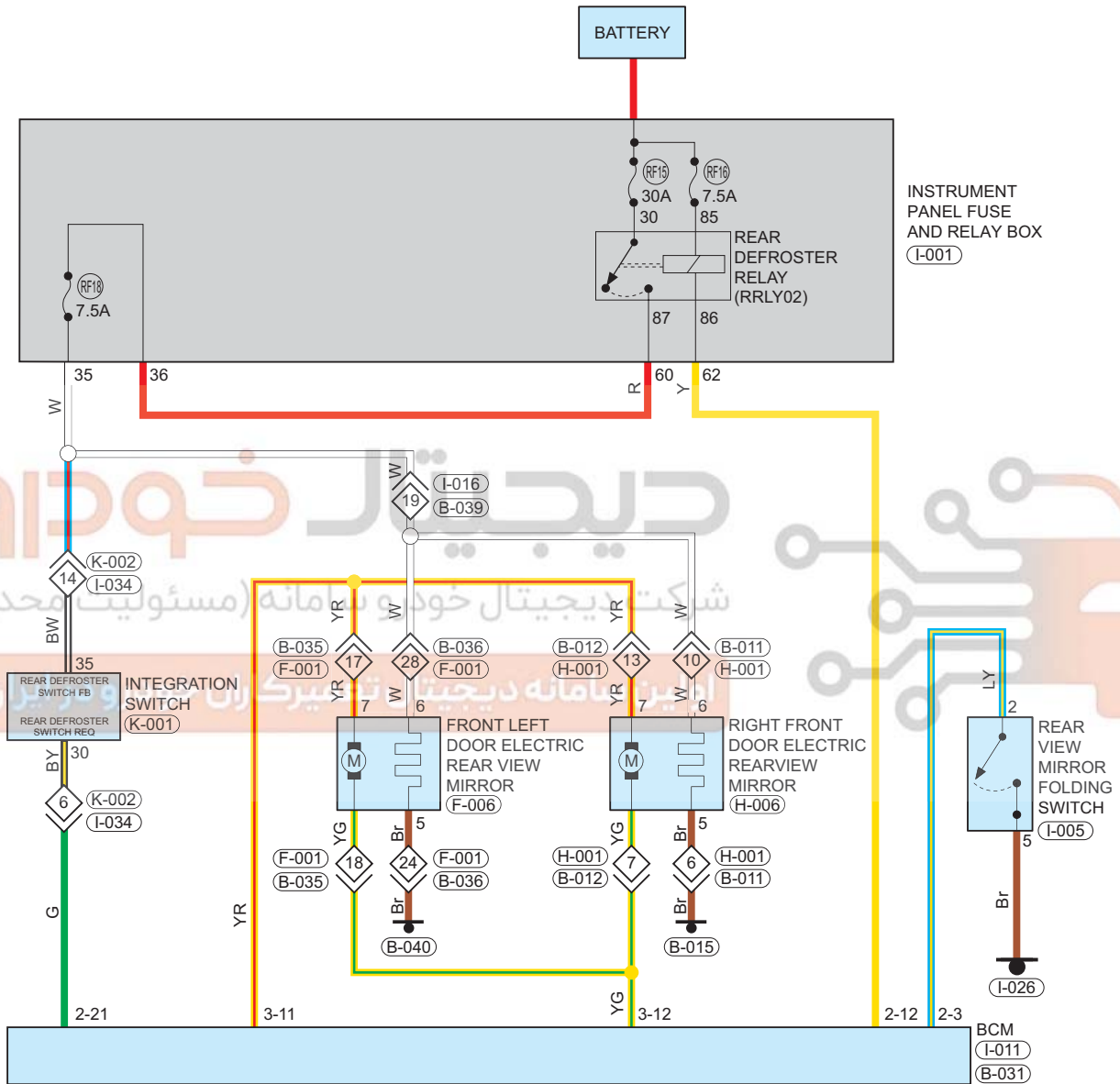
Location of Junction Connector

Connector Code	See Page	Connector Code	See Page	Connector Code	See Page
I-015, B-038	08-8	I-040, B-013	08-8	B-035, F-001	08-12
B-036, F-001	08-12	B-011, H-001	08-12		

Form of Connector

Connector Code	See Page	Connector Code	See Page	Connector Code	See Page
I-001	12-4	I-003	12-4	I-026	12-4
F-006	12-14	H-006	12-14	I-015, B-038	12-4
I-040, B-013	12-4	B-035, F-001	12-7	B-036, F-001	12-7
B-011, H-001	12-7				

Circuit Diagram (Page 2 of 2)



RME002001